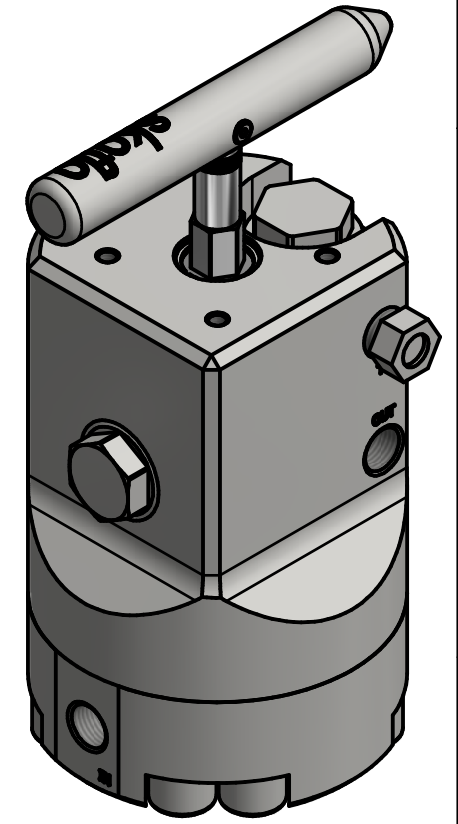
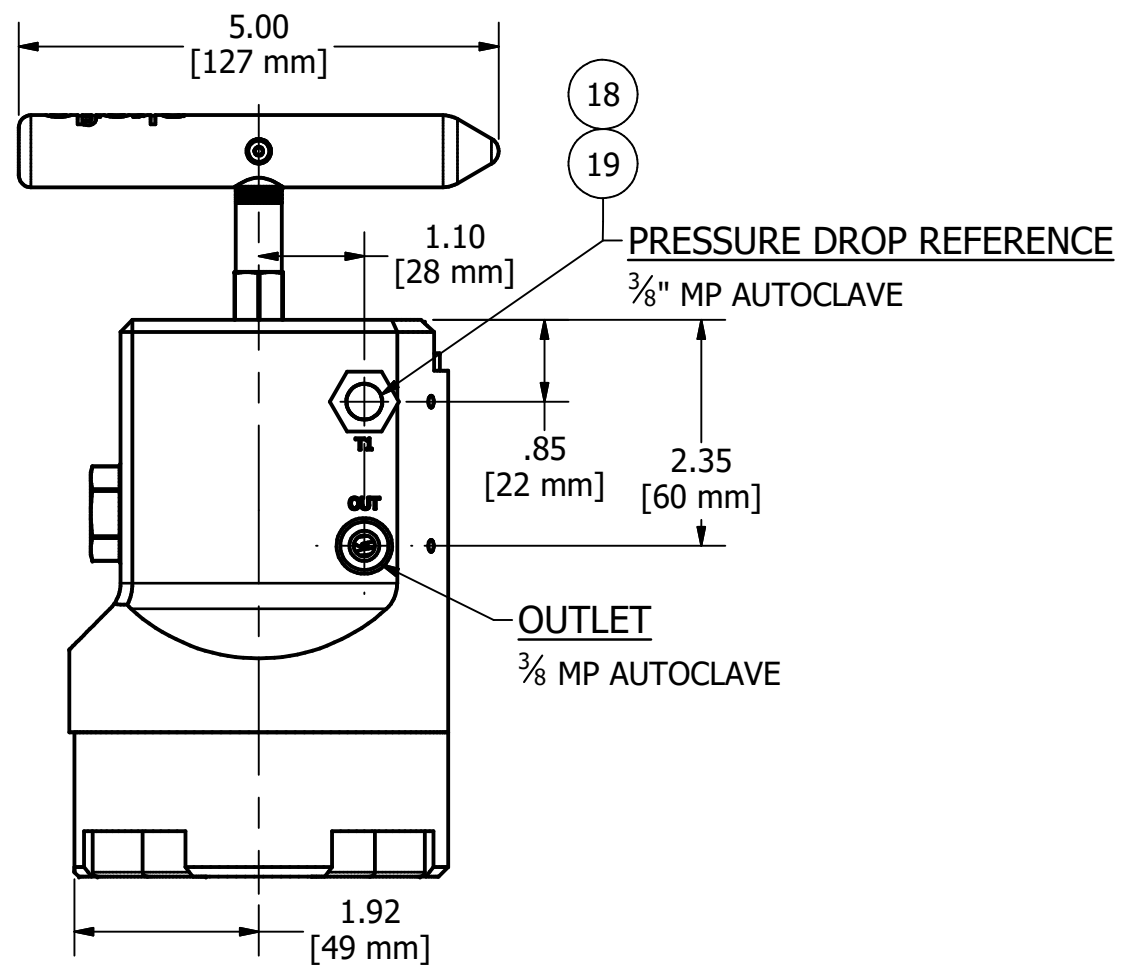
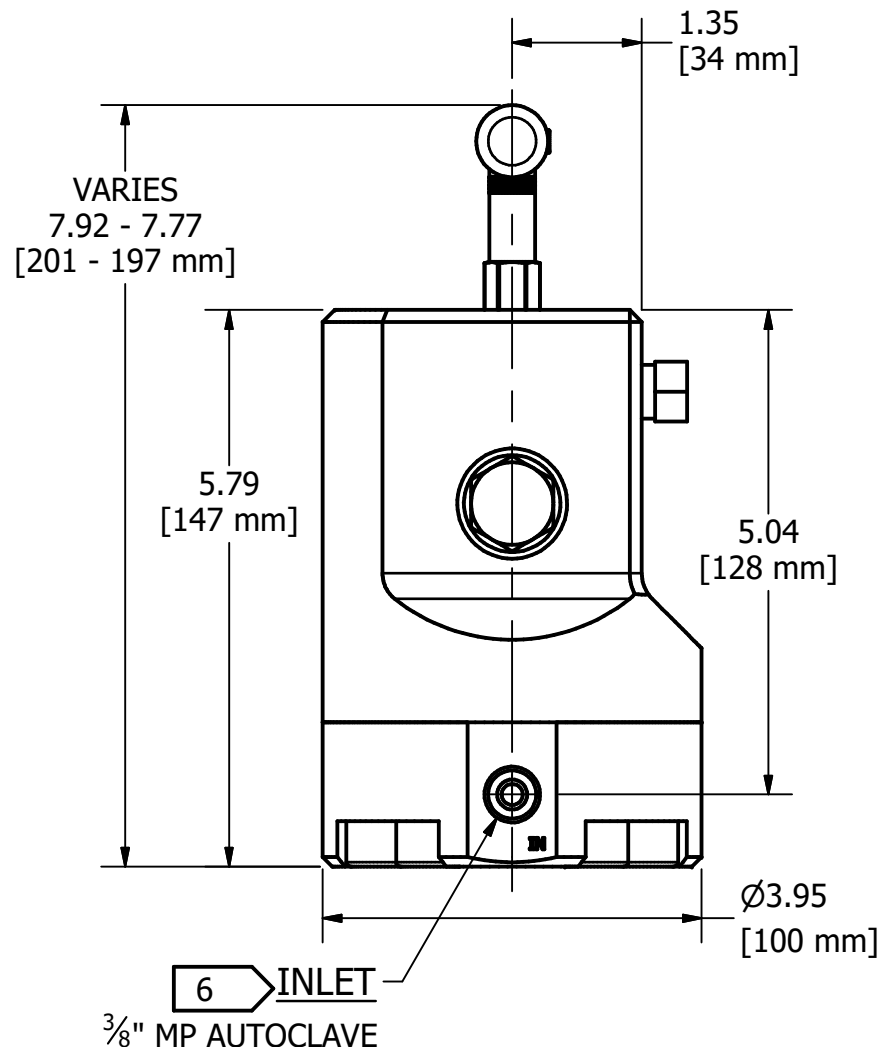
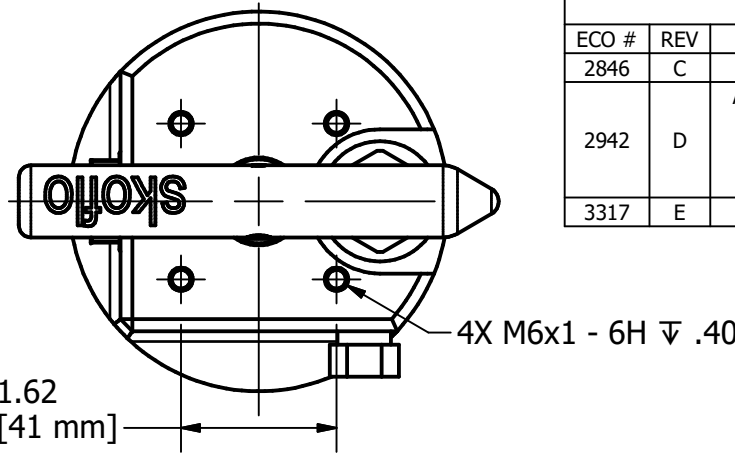


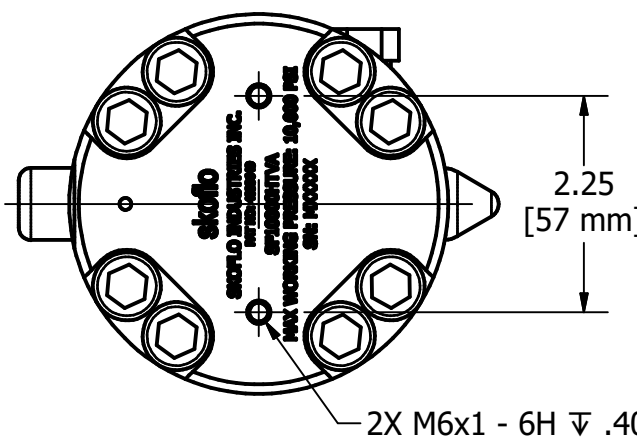
CONFIGURATION NUMBER GUIDE

SF10000HTVA	-	XXXX	-	XXXX	-	X	-	XX	-	XX	
1-600gpd		600D		FFKM		L	LIGHT	A4	A4-70	MA	MANUAL
50-2500gpd		2500D		EPDM		H	HEAVY	SD	SUPER DUPLEX	RV	ROTORK VALVE ONLY
FLOW RANGE		FLOW CODE		SEAL MATERIAL		SPRING CODE	SPRING	FASTENER CODE	FASTENER MATERIAL	ACTUATION CODE	ACTUATION TYPE

ECO #		REV	DESCRIPTION	DATE	DRAWN	ENG1	ENG2	OTHER
2846		C	ON SHT 2 ADD LOCTITE CALLOUT FOR ITEM 2;	11/4/19	PTS	JM	JC	
2942		D	ADDED SUPER DUPLEX FASTENER OPTIONS; RENUMBERED ITEMS; MOVED CONFIGURATION GUIDE TO SHT 1; ADDED SQUARE CALLOUT ON 1.62. ADDED ACTUATION OPTIONS. MOVED TABLES AROUND ON SHT 2	7/16/20	CA	JM	NA	
3317		E	ADDED 2500 OPTION TO ITEM 4. ADDED ITEM 4 TO TABLE 2	6/21/21	CA	JM	JC	



- NOTES:
- 1) NOMINAL WEIGHT = 18.1 lb [8.2 kg]
 - 2) RATED WORKING PRESSURE = 10,000 psi [689 bar]
 - 3) PROOF TEST PRESSURE = 15,000 psi [1034 bar]
 - 4) FLOW RATE RANGES:
 - a) 1 - 600 gpd
 - b) 50 - 2,500 gpd
 - 5) MANUAL CONFIGURATION SHOWN
 - 6) ORIENTATION CAN BE ADJUSTED IN 90° INCREMENTS



ALL DIMENSIONS IN INCHES UNLESS OTHERWISE SPECIFIED	DRAWN J.MOORE 2/12/2019	SKOFLO INDUSTRIES, INC. WOODINVILLE, WA
DRAWING PER ANSI Y14.5M-2009	ENG1 N.ALLEY 2/12/2019 ENG2 J.DUSHLETTA 2/12/2019 OTHER	
FRACTIONS ± 1/16 X ± .03 .XX ± .010 .XXX ± .005 .XXX ± .0005 ANGULAR ± 3°	UNLESS SPECIFIED DEBURRED & BREAK EDGES: 0.15/005 Ra SURF. QUAL: 63 FILLETS: R.02/0.008 DRILL POINT: 110-150°	THIS DOCUMENT CONTAINS INFORMATION WHICH IS PROPRIETARY TO SKOFLO INDUSTRIES INC. THE INFORMATION CONTAINED HEREIN SHALL NOT BE DISCLOSED, DUPLICATED, USED IN WHOLE OR IN PART FOR ANY PURPOSE OTHER THAN TO EVALUATE THIS DOCUMENT
VALVE ASSEMBLY, SURFACE, SF10000HTVA, MANUAL		ENVELOPE DRAWING SF10000HTVA-MA
DWG NO SIZE B	SCALE NONE	SHEET 1 OF 2