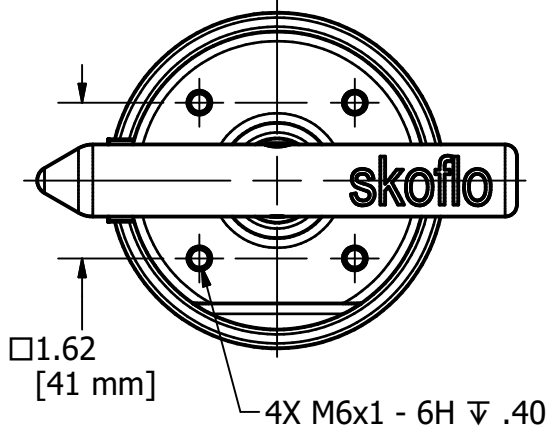
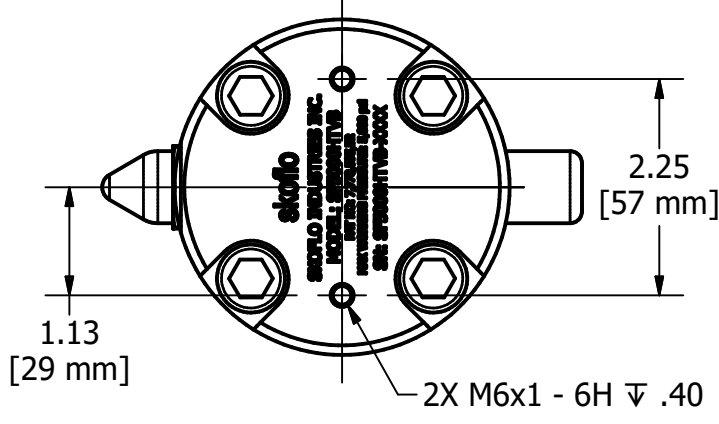
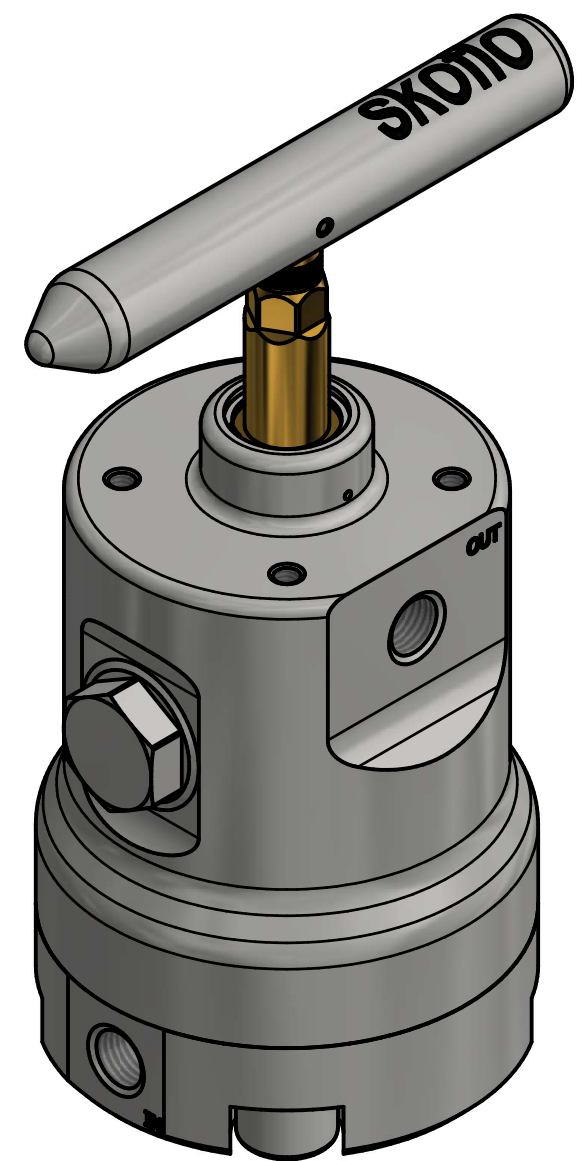
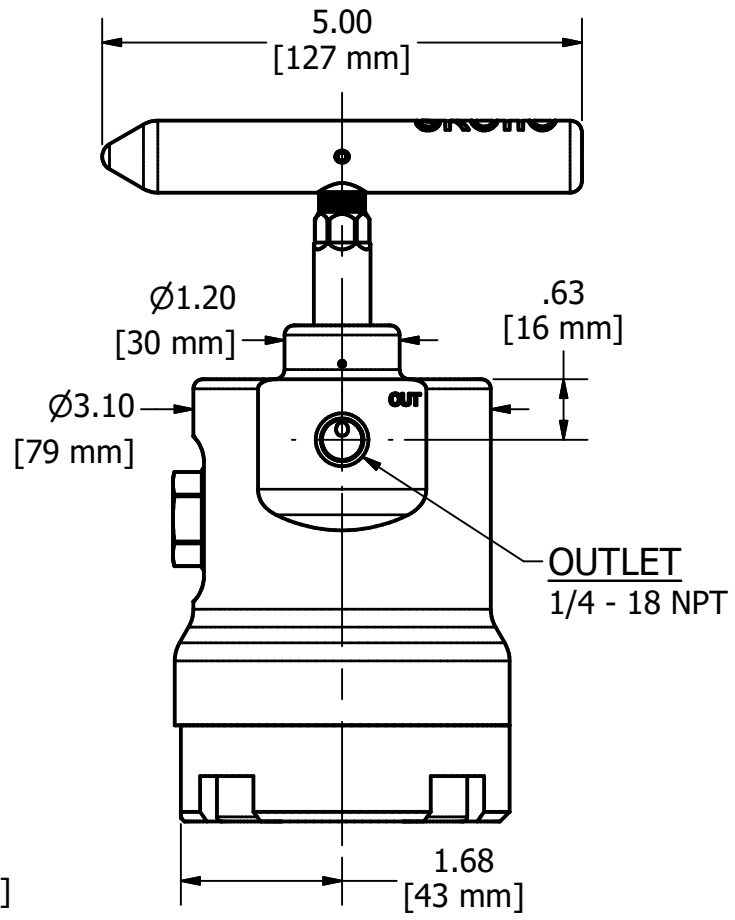
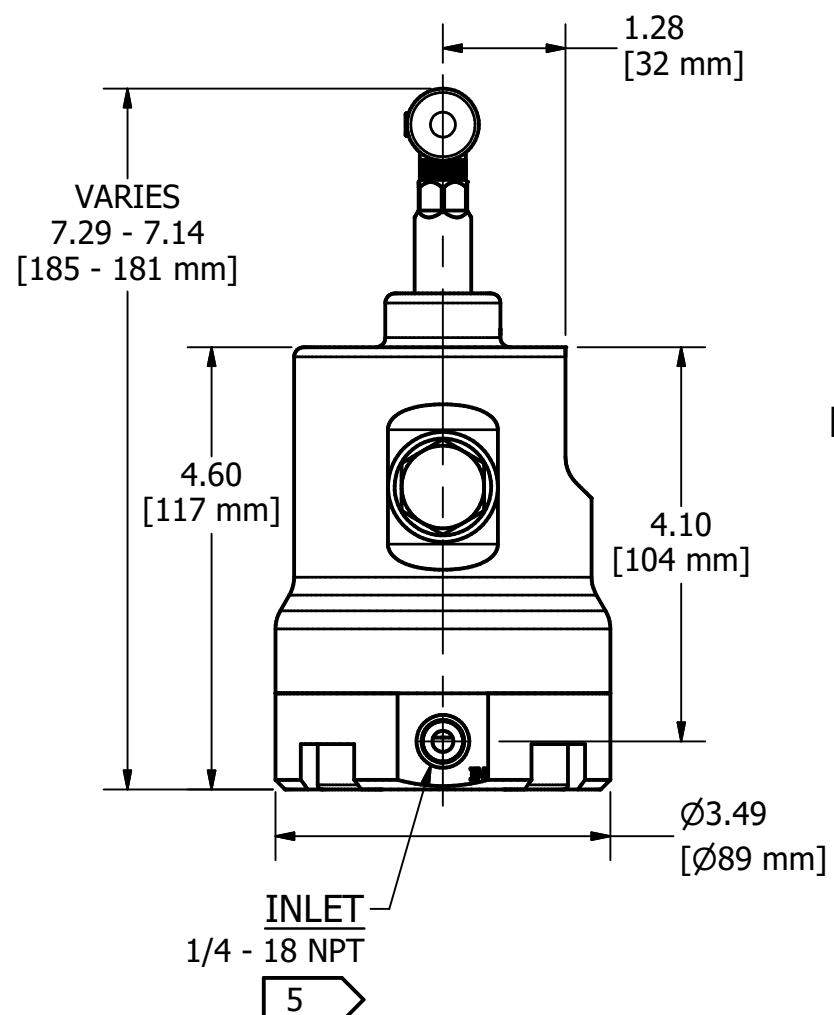


CONFIGURATION NUMBER GUIDE

SF5000HTVB	-	XXXX	-	XXXX	-	XX	-	XX	-	XX	-	XX	-	XX	-	XX
0.2-150gpd		150D		FFKM		N5		MA		MANUAL						
0.6-600gpd		600D		FKM		NM		SV		ACTUATED VALVE ONLY						
25-2500gpd		2500D		EPDM		C2										
<b>FLOW RANGE</b>		<b>FLOW CODE</b>		<b>SEAL MATERIAL</b>		<b>MATERIAL CODE</b>		<b>ACTUATION CODE</b>		<b>ACTUATION TYPE</b>						



ECN #		REV	DESCRIPTION	DATE	DRAWN	ENG1	ENG2	OTHER
3547	C		ADD 0.2-150gpd OPTION TO CONFIG GUIDE, NOTE 3, AND TABLE 1; ITEM 17: ADD PN 31323 TO TABLE 1, REMOVE "ASSY" FROM DESCRIPTION; ITEM 19: ADD PN 31254; ITEMS 17,34: CHANGE MATERIAL TO "SEE DWG"; ITEMS 27-30: CHANGE MATERIAL TO "SEE TABLE 3"; TABLE 5: REMOVE "RV" COLUMN, "ACTUATED" WAS "SV" ; ITEM 27: 27 WAS 36 (TYPO), REMOVE "SERIALIZED" FROM DESCRIPTION, CHANGE PRESSURE CONTAINING TO "YES"	10/11/22	WF	JM	JC	
3691	D		SHT 2: 31858-X WAS 30513; 31857-X WAS 30955; ADDED KITTING NOTE; 22mm HEX WAS 23mm	3/25/23	SI	WF	JC	
3733	E		ADD SPEC-11829 COMPLIANT N50 MATERIAL OPTION, UPDATE TABLES 3 & 4 ACCORDINGLY, 31858 WAS 31858-X	6/28/23	SI	JM	WF	



- NOTES:
- 1) NOMINAL WEIGHT = 11.3 lb [5.1 kg]
  - 2) RATED WORKING PRESSURE = 5,000 psi [345 bar]
  - 3) FLOW RATE RANGES:
    - a) 0.2 - 150 gpd
    - b) 0.6 - 600 gpd
    - c) 25 - 2,500 gpd
  - 4) MANUAL CONFIGURATION SHOWN
  - 5) ORIENTATION CAN BE ADJUSTED IN 90° INCREMENTS

ALL DIMENSIONS IN INCHES UNLESS OTHERWISE SPECIFIED	DRAWN W.FORTINER 12/6/21	SKOFLO INDUSTRIES, INC. WOODINVILLE, WA
DRAWING PER ANSI Y14.5M-2009	ENG1 J.MOORE 12/7/21 ENG2 C.ARNOLD 12/7/21	
FRACTIONS ± 1/16 .X ± .03 .XX ± .010 .XXX ± .005 .XXX ± .0005 ANGULAR ± 3°	UNLESS SPECIFIED DEBURR & BREAK EDGES: 0.15/005 Ra SURF. QUAL: 63 FILLETS: R.02/008 DRILL POINT: 110-150°	THIS DOCUMENT CONTAINS INFORMATION WHICH IS PROPRIETARY TO SKOFLO INDUSTRIES INC. THE INFORMATION CONTAINED HEREIN SHALL NOT BE DISCLOSED, DUPLICATED, USED IN WHOLE OR IN PART FOR ANY PURPOSE OTHER THAN TO EVALUATE THIS DOCUMENT
	DWG NO SF5000HTVB-MA	REV E
	SIZE B	SCALE NONE
		SHEET 1 OF 2