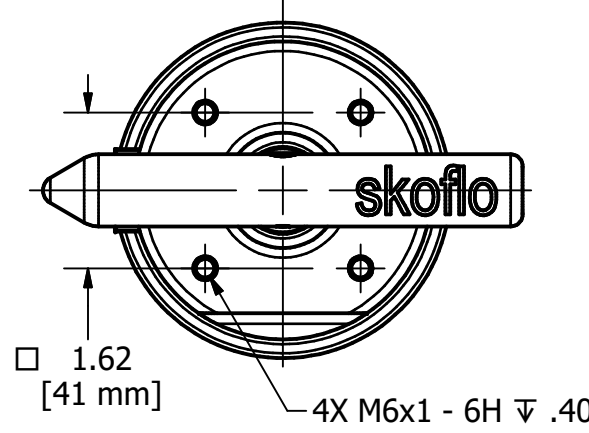
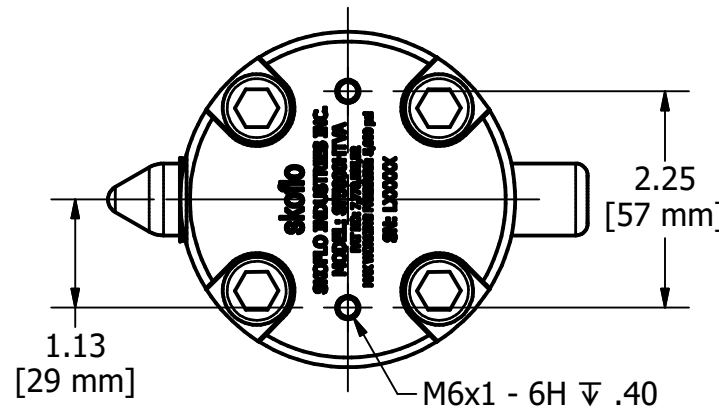
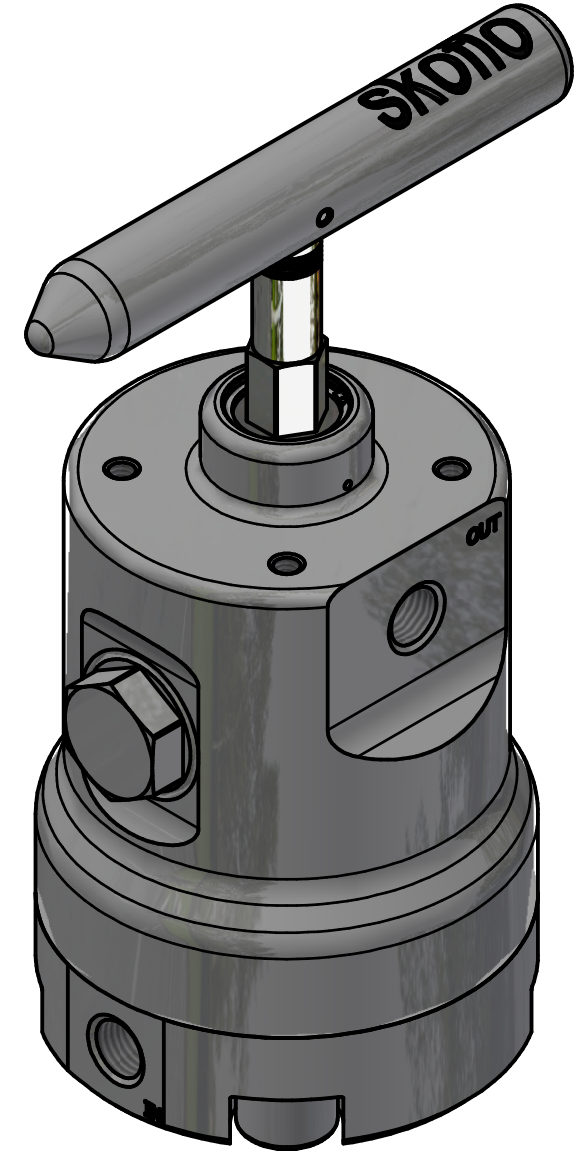
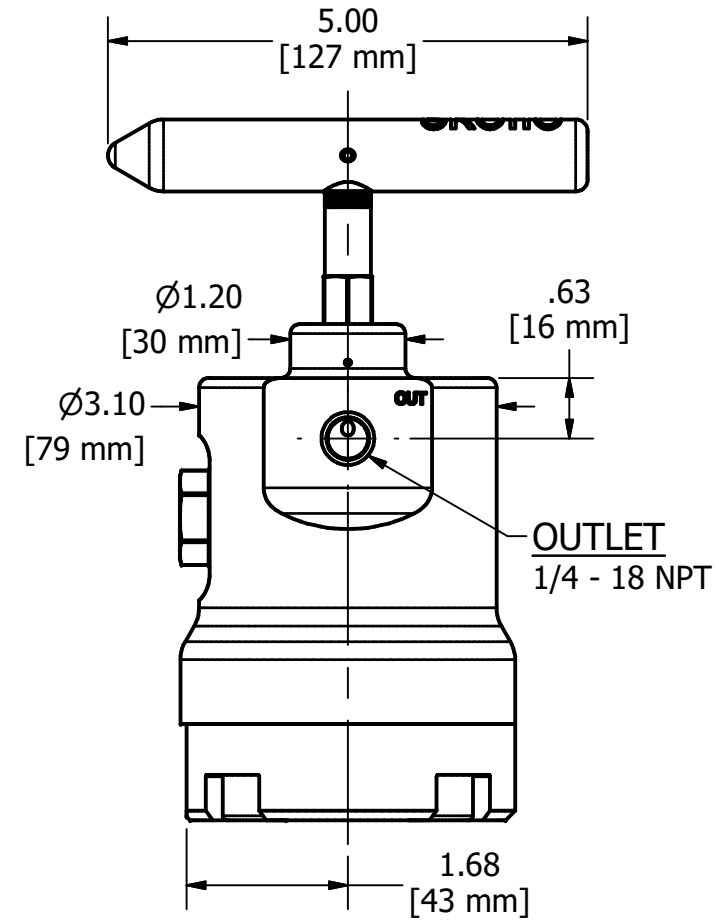
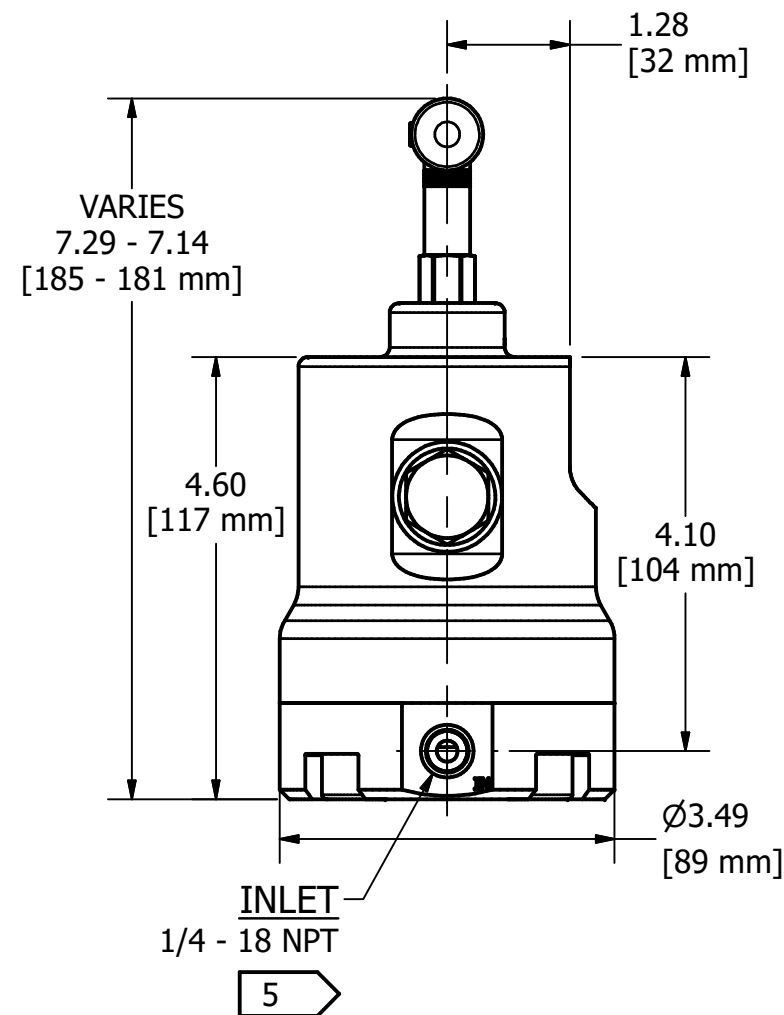


CONFIGURATION NUMBER GUIDE

SF5000HTVA	XXXX	XXXX	XX	XX
0.6-700gpd	700D	FFKM	A4	A4-70
50-2500gpd	2500D	FKM	SD	SUPER DUPLEX
FLOW RANGE	FLOW CODE	SEAL MATERIAL	FASTENER CODE	FASTENER MATERIAL
		EPDM	MA	MANUAL
		SEAL MATERIAL	RV	ROTORK VALVE ONLY
			SV	SF3 VALVE ONLY
			ACTUATION CODE	ACTUATION TYPE



REVISION HISTORY							
ECN #	REV	DESCRIPTION	DATE	DRAWN	ENG1	ENG2	OTHER
3066	M	REMOVE AT (ROTORK) OPTION; ADD RV (ROTORK VALVE ONLY) OPTION AND SV (SKOFLO VALVE ONLY) OPTION	7/7/20	EF	CA	NA	
3253, 3227	N	SHT 2, TABLE 4: 31357 WAS 31169; UPDATE TORQUE VALUES; REMOVE NOTE 3; ADD STEM LUBRICATION NOTE	4/14/21	WF	JM	NA	
3317	P	ADDED ITEM 7 TO TABLE 2. ADDED 2500 GPD OPTION FOR ITEM 7	6/18/21	CA	JM	JC	
3374	R	SHT 2: ADD ITEM 6 TO TABLE 4; TABLE 4: 31169 WAS 31357, 71007547 WAS 71007247; ITEM 6 MATERIAL WAS PTFE, ITEM 36 MATERIAL WAS "SEE DWG"	12/2/21	EF	JM	WF	



- NOTES:
- 1) NOMINAL WEIGHT = 11.3 lb [5.1 kg]
 - 2) RATED WORKING PRESSURE = 5,000 psi [345 bar]
 - 3) FLOW RATE RANGES:
 - a) 0.6 - 700 gpd
 - b) 50 - 2,500 gpd
 - 4) MANUAL CONFIGURATION SHOWN
 - 5) ORIENTATION CAN BE ADJUSTED IN 90° INCREMENTS

ALL DIMENSIONS IN INCHES UNLESS OTHERWISE SPECIFIED	DRAWN J.MOORE 7/20/2018	SKOFLO INDUSTRIES, INC. WOODINVILLE, WA
DRAWING PER ANSI Y14.5M-2009	ENG1 S.SPAHI 7/20/2018	
FRACTIONS ± 1/16 X ± .03 .XX ± .010 .XXX ± .005 XXXX ± .0005 ANGULAR ± 3°	ENG2 J.DUSCHLETTA 7/20/2018	VALVE ASSEMBLY, SURFACE, SF5000HTVA
UNLESS SPECIFIED DEBARR & BREAK EDGES: 0.15/005 Ra SURF QUAL: 63 FILLET: R.020/008 DRILL POINT: 110-150°	OTHER	
THIS DOCUMENT CONTAINS INFORMATION WHICH IS PROPRIETARY TO SKOFLO INDUSTRIES INC. THE INFORMATION CONTAINED HEREIN SHALL NOT BE DISCLOSED, DUPLICATED, USED IN WHOLE OR IN PART FOR ANY PURPOSE OTHER THAN TO EVALUATE THIS DOCUMENT		DWG NO SF5000HTVA-MA
SIZE B SCALE NONE SHEET 1 OF 2		REV R