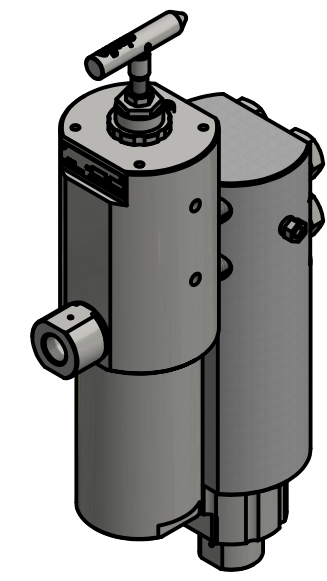
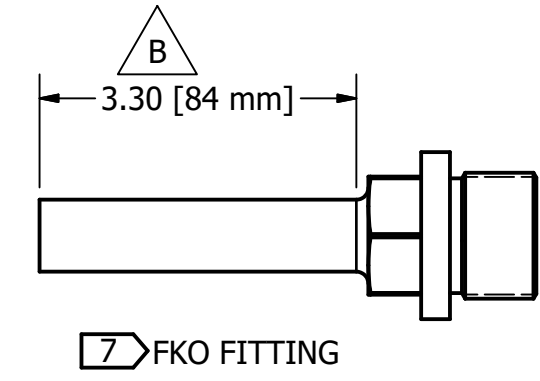
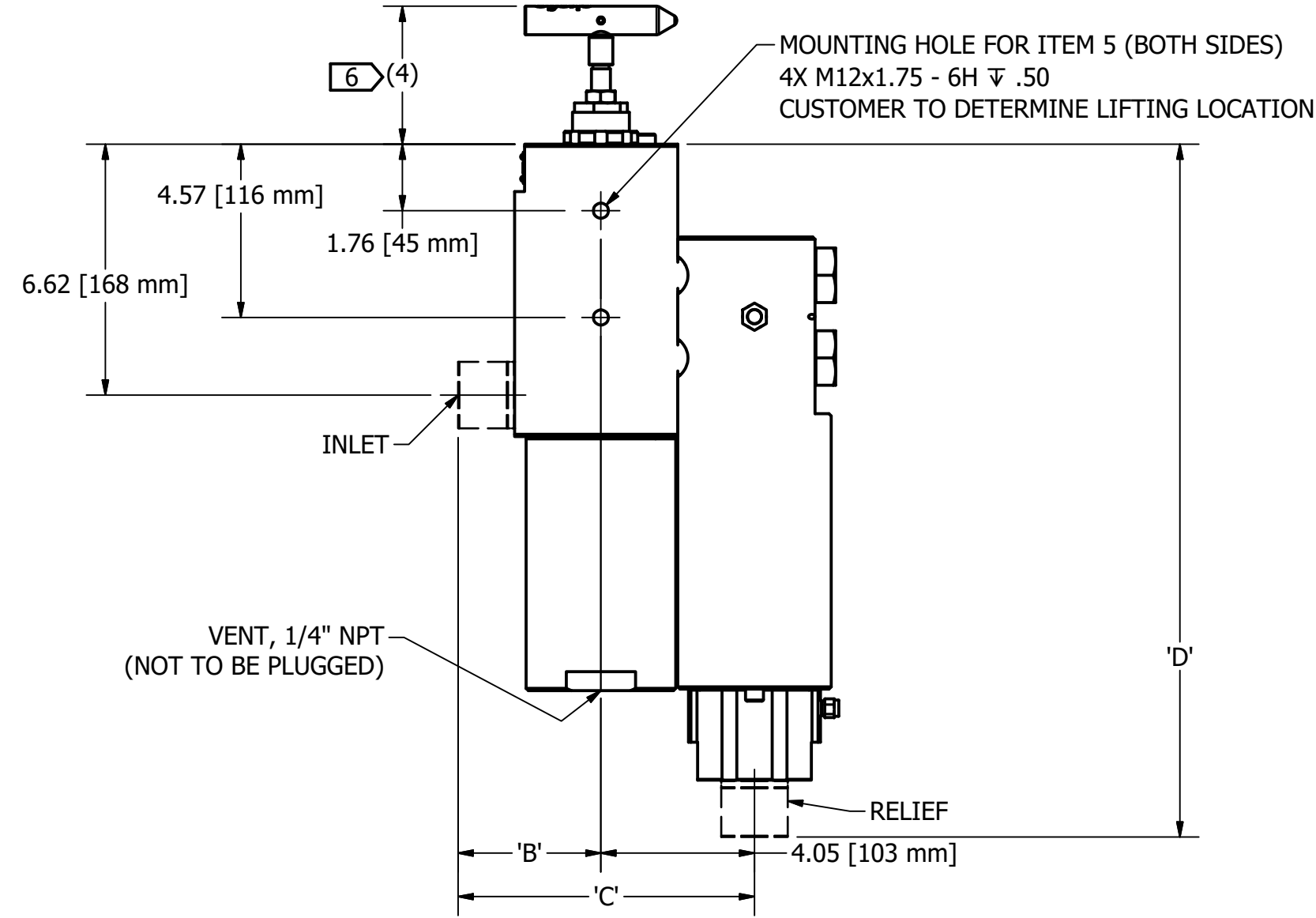
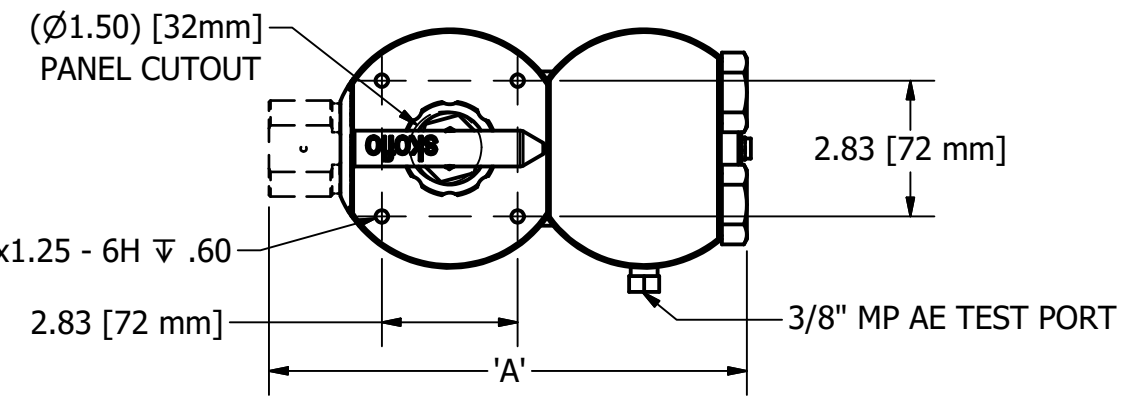


REVISION HISTORY

ECN #	REV	DESCRIPTION	DATE	DRAWN	ENG1	ENG2	OTHER
3005	B	REDRAWN, COMBINED BOM AND GA INTO ONE DRAWING; ADDED ACTUATOR CONFIGURATION; ADD 3/4" NPT AND FKO HUB OPTIONS; SHT 4: 71002141 WAS 71002143	11/10/20	EF	CA	NA	

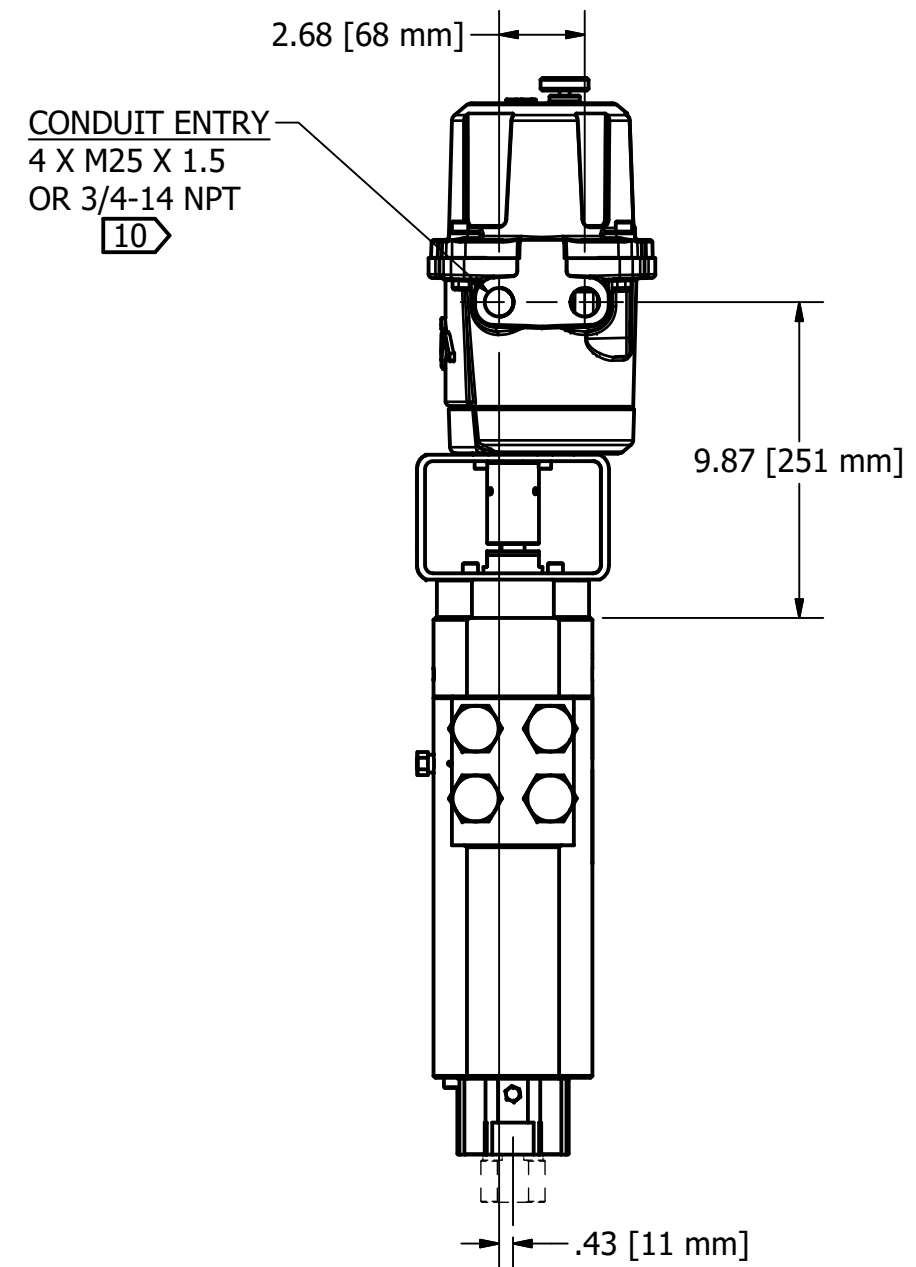
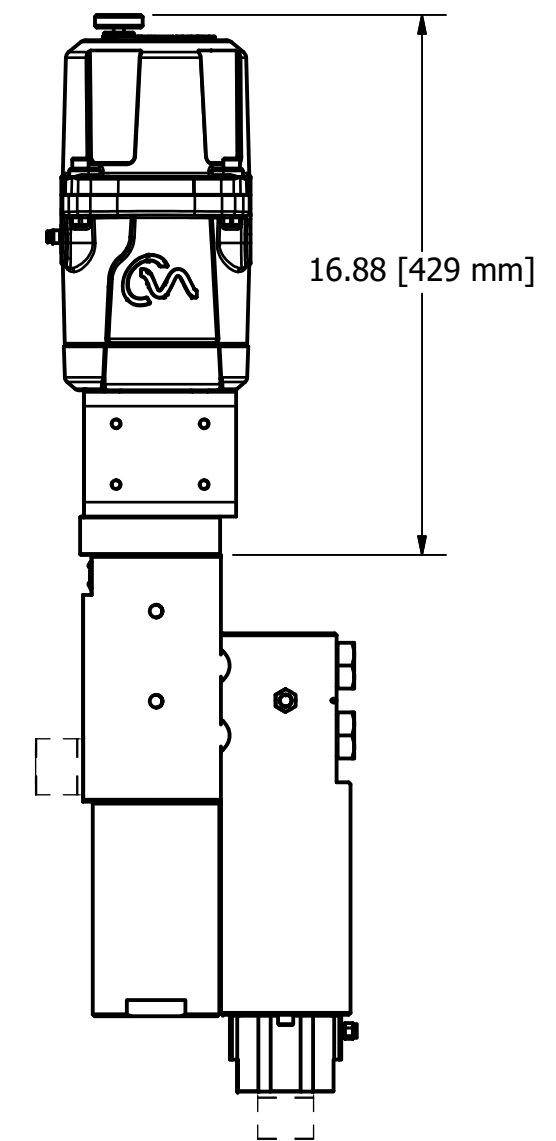
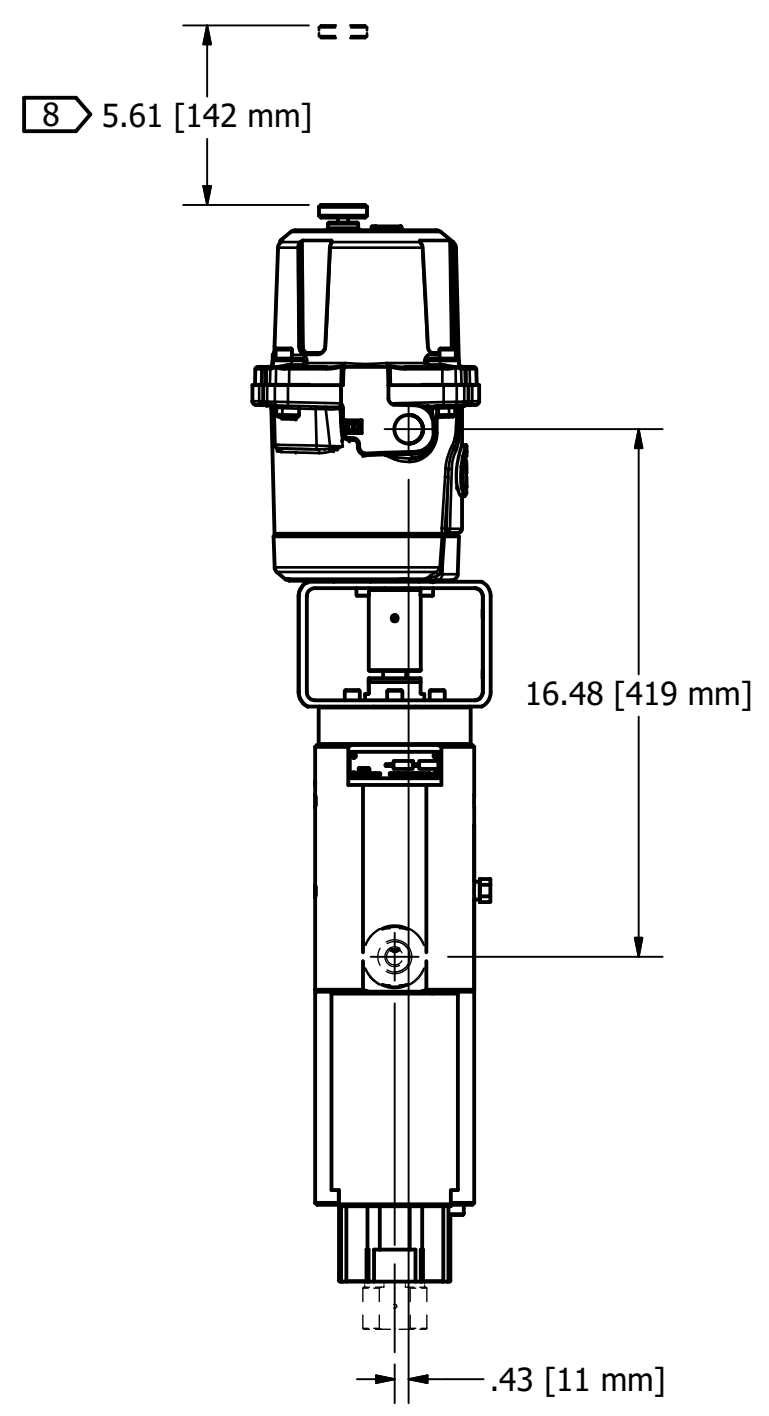
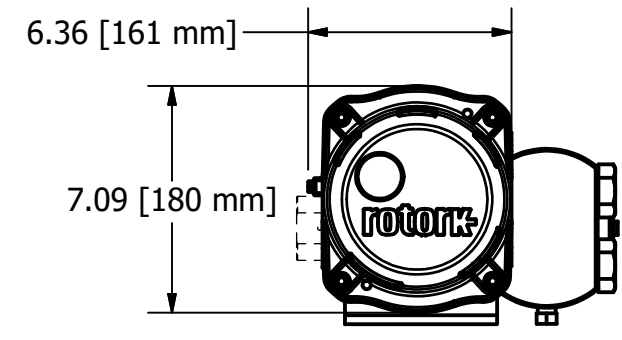


- NOTES:
- 1) RATED WORKING PRESSURE = 5,000 PSI [345 BAR]
 - 2) PROOF TEST PRESSURE = 7,500 PSI [517 BAR]
 - 3) FLOW RATE RANGE: 0.5-15 GPM [2.3-68 LPM]
 - 4) BPR5000MFA-XXXX-XXXX-MA SHOWN
 - 5) MANUAL NOMINAL WEIGHT: 110 LB [50 KG]
 - 6 VALVE IN CLOSED POSITION
 - 7 MALE FKO TUBE STUB, Ø3/4" X .134 WALL, SHIPPED UNCONNECTED FROM VALVE


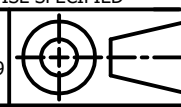
TABLE 1: HUB LENGTH

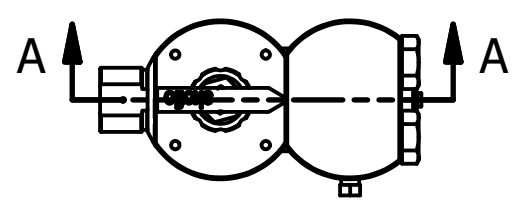
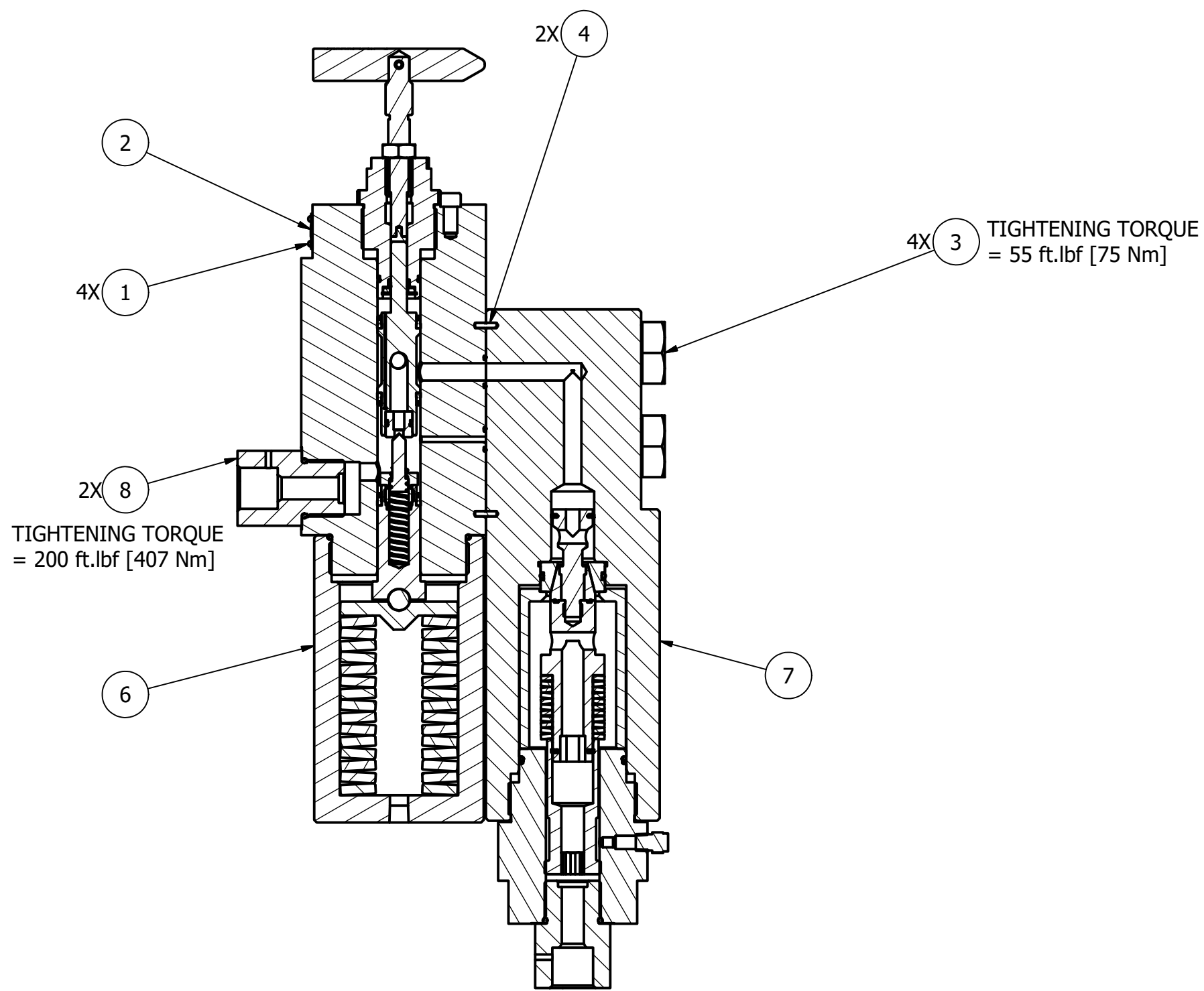
HUB TYPE	'A' (in.) [mm]	'B' (in.) [mm]	'C' (in.) [mm]	'D' (in.) [mm]
75FK	12.34 [313]	6.54 [166]	10.46 [266]	20.99 [533]
75MP	9.96 [253]	3.76 [96]	7.81 [198]	18.26 [464]
75NPT	9.97 [253]	3.78 [96]	7.83 [199]	18.23 [463]
MPIH	12.06 [306]	5.55 [141]	9.60 [244]	20.05 [509]
1GR5	9.56 [243]	3.76 [96]	7.81 [198]	18.26 [464]
1GR7	11.94 [303]	6.14 [156]	10.19 [259]	20.64 [564]
2GR16	10.84 [275]	5.04 [128]	9.29 [236]	19.53 [496]

ALL DIMENSIONS IN INCHES UNLESS OTHERWISE SPECIFIED	DRAWN E. FAIRCHILD 3/31/2020		SKOFLO INDUSTRIES, INC. WOODINVILLE, WA
DRAWING PER ANSI Y14.5M-2009	ENG1 C. ARNOLD 11/6/2020 ENG2 N. ALLEY 11/9/2020 OTHER		
FRACTIONS ± 1/16 .X ± .03 .XX ± .010 .XXX ± .005 .XXXX ± .0005 ANGULAR ± 3°	UNLESS SPECIFIED DEBURR & BREAK EDGES: .015/.005 Ra SURF QUAL: 63 FILLETS: R.020/.008 DRILL POINT: 110-150°	THIS DOCUMENT CONTAINS INFORMATION WHICH IS PROPRIETARY TO SKOFLO INDUSTRIES INC. THE INFORMATION CONTAINED HEREIN SHALL NOT BE DISCLOSED, DUPLICATED, USED IN WHOLE OR IN PART FOR ANY PURPOSE OTHER THAN TO EVALUATE THIS DOCUMENT	
VALVE ASSEMBLY, BPR5000MFA		MANUAL ENVELOPE DRAWING BPR5000MFA	
SIZE B	SCALE NONE	SHEET 1 OF 5	



- NOTES CONTINUED:
- 8 COVER REMOVAL ALLOWANCE
 - 9) ACTUATED NOMINAL WEIGHT = 150.5 lbs. [68.3 KG]
 - 10 3/4"-14 NPT CONDUIT ENTRIES FOR FM CONFIGURATION (SEE SHEET 4), ALL OTHERS M25x1.5


ALL DIMENSIONS IN INCHES UNLESS OTHERWISE SPECIFIED		DRAWN E. FAIRCHILD 3/31/2020	 SKOFLO INDUSTRIES, INC. WOODINVILLE, WA
DRAWING PER ANSI Y14.5M-2009		ENG1 C. ARNOLD 11/6/2020	
FRACTIONS ± 1/16 .X ± .03 .XX ± .010 .XXX ± .005 .XXXX ± .0005 ANGULAR ± 3°	UNLESS SPECIFIED DEBURR & BREAK EDGES: .015/.005 Ra SURF QUAL: 63 FILLETS: R.020/.008 DRILL POINT: 110-150°	ENG2 N. ALLEY 11/9/2020	VALVE ASSEMBLY, BPR5000MFA
THIS DOCUMENT CONTAINS INFORMATION WHICH IS PROPRIETARY TO SKOFLO INDUSTRIES, INC. THE INFORMATION CONTAINED HEREIN SHALL NOT BE DISCLOSED, DUPLICATED, USED IN WHOLE OR IN PART FOR ANY PURPOSE OTHER THAN TO EVALUATE THIS DOCUMENT		ACTUATED ENVELOPE DRAWING DWG NO BPR5000MFA REV B	
SIZE B		SCALE NONE	SHEET 2 OF 5



SECTION A-A

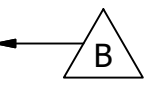
NOTES CONTINUED:

- 11) COAT ALL THREADS WITH DYNATEX ANTI-SEIZE AND LUBRICATING COMPOUND (OR SIMILAR) UNLESS OTHERWISE STATED
- 12) LUBRICATE ALL SEALS WITH PARKER SLUBE 884-X (OR SIMILAR)
- 13) SEE BPR MF-SK FOR SPARES KITS PARTS LISTS

ALL DIMENSIONS IN INCHES UNLESS OTHERWISE SPECIFIED		DRAWN E. FAIRCHILD 3/31/2020	 SKOFLO INDUSTRIES, INC. WOODINVILLE, WA
DRAWING PER ANSI Y14.5M-2009		ENG1 C. ARNOLD 11/6/2020 ENG2 N. ALLEY 11/9/2020 OTHER	
FRACTIONS ± 1/16 .X ± .03 .XX ± .010 .XXX ± .005 .XXXX ± .0005 ANGULAR ± 3°		UNLESS SPECIFIED DEBURR & BREAK EDGES: .015/.005 Ra SURF QUAL: 63 FILLETS: R.020/.008 DRILL POINT: 110-150°	
THIS DOCUMENT CONTAINS INFORMATION WHICH IS PROPRIETARY TO SKOFLO INDUSTRIES INC. THE INFORMATION CONTAINED HEREIN SHALL NOT BE DISCLOSED, DUPLICATED, USED IN WHOLE OR IN PART FOR ANY PURPOSE OTHER THAN TO EVALUATE THIS DOCUMENT		DWG NO BPR5000MFA	REV B
SIZE B	SCALE NONE	SHEET 3 OF 5	

PARTS LIST

ITEM	QTY	PART NUMBER	DESCRIPTION	MATERIAL	PRESSURE CONTAINING
1	4	71002116	U-DRIVE SCREW, RH, #2X1/4	302 SS	NO
2	1	71002141	NAMEPLATE (SF5000/ BPR5000)	316L SS	NO
3	4	71002925	Heavy Hex Structural Bolt - 7/8-9 UNC - 4.5	316 SS	YES
4	2	71003528	DWL, 1/8 X 3/8	316L SS	NO
5	2	71004205	EYEBOLT LIFTING , M12-1.75 X 21 mm THREAD LENGTH AND 30mm EYE	304 SS	NO
6	1	SEE TABLE 1	ASSY, BPR, MF, PRIMARY STAGE, EPDM	SEE DWG	YES
7	1	SEE TABLE 1	ASSY, BPR, MF, CHECK STAGE, EPDM	SEE DWG	YES
8	2	SEE TABLE 2	ADAPTER HUB	SEE TABLE 2	YES



MANUAL CONFIGURATION NUMBER GUIDE

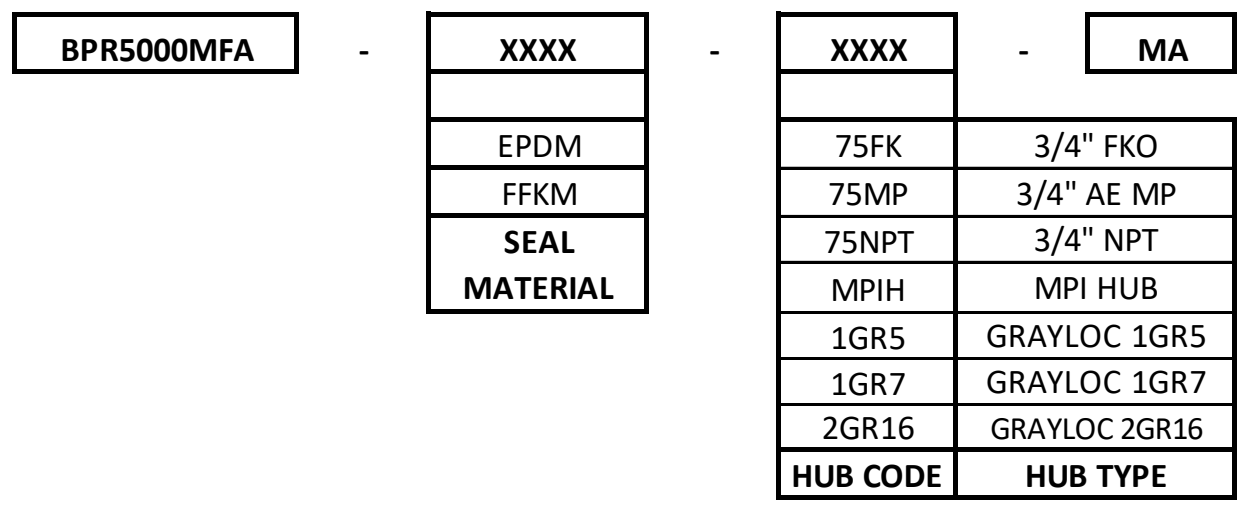


TABLE: 1 SEAL SELECTION

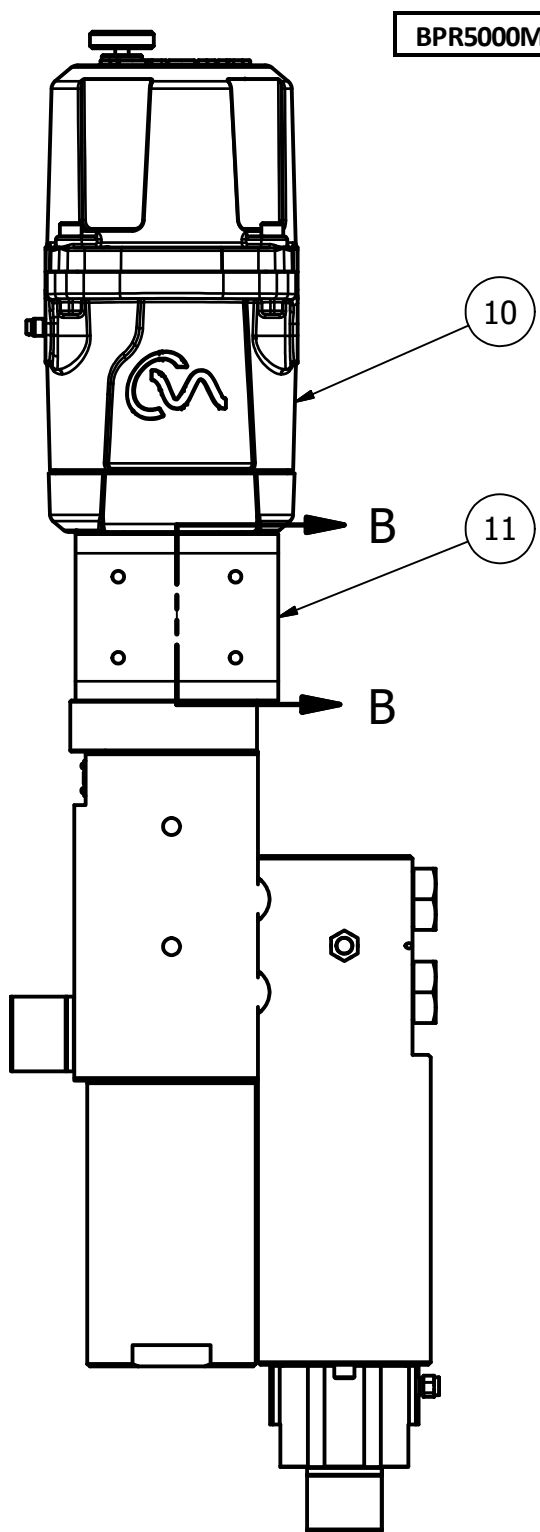
ITEM	EPDM	FFKM
6	20742-001	20742-002
7	29219-001	29219-002

TABLE 2: HUB SELECTION

ITEM	75FK	75MP	75NPT	MPIH	1GR5	1GR7	2GR16
8	31046	20531	20764	26465	71005634	28424	71007323
MATERIAL	SUPER DUPLEX 2507	NITRONIC 50 HS	NITRONIC 50 HS	NITRONIC 50 HS	NITRONIC 50 HS	SUPER DUPLEX 55	SUPER DUPLEX 55

ALL DIMENSIONS IN INCHES UNLESS OTHERWISE SPECIFIED	DRAWN E. FAIRCHILD 3/31/2020		SKOFLO INDUSTRIES, INC. WOODINVILLE, WA
DRAWING PER ANSI Y14.5M-2009	UNLESS SPECIFIED DEBURR & BREAK EDGES: .015/.005 Ra SURF QUAL: 63 FILLETS: R.020/.008 DRILL POINT: 110-150°		ENG1 C. ARNOLD 11/6/2020 ENG2 N. ALLEY 11/9/2020 OTHER
FRACTIONS ± 1/16 .X ± .03 .XX ± .010 .XXX ± .005 .XXXX ± .0005 ANGULAR ±3°		VALVE ASSEMBLY, BPR5000MFA	
		MANUAL PARTS LIST	
		DWG NO BPR5000MFA	REV B
		SIZE B	SCALE NONE
		SHEET 4 OF 5	

ACTUATED CONFIGURATION NUMBER GUIDE



BPR5000MFA

XXXX
EPDM
FFKM
SEAL MATERIAL

XXXX	
75FK	3/4" FKO
75MP	3/4" AE MP
75NPT	3/4" NPT
MPIH	MPI HUB
1GR5	GRAYLOC 1GR5
1GR7	GRAYLOC 1GR7
2GR16	GRAYLOC 2GR16
HUB CODE	HUB TYPE

AT

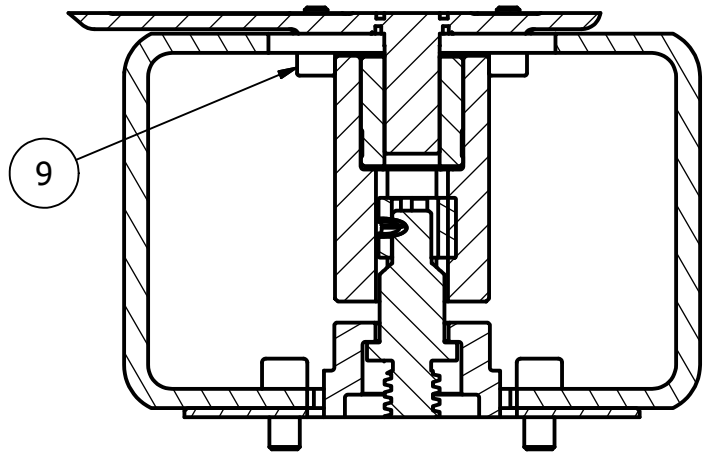
XX	
120	120 VAC
208	208 VAC
230	230 VAC
DC	24 VDC
VOLTAGE CODE	VOLTAGE

X	
4	4-20mA
F	FIELD BUS
H	HART
PROTOCOL CODE	COM. PROTOCOL

XX	
AX	ATEX
EX	IECEX
NA	FM
GO	GOST
CODE	HAZLOC CERTIFICATION

TABLE: 3 SEAL SELECTION

ITEM	EPDM	FFKM
11	30932-001	30932-002



SECTION B-B

NOTES CONTINUED:
14) ITEM 6 IS NOT REQUIRED FOR ACTUATED CONFIGURATION

PARTS LIST CONTINUED - ACTUATED ONLY

ITEM	QTY	PART NUMBER	DESCRIPTION	MATERIAL	PRESSURE CONTAINING
9	4	71007246	SHCS, M6X1 X 12LG	316 SS	NO
10	1	SEE DWG 71007126	ACTUATOR, ROTARY, CMR-200	SEE DWG 71007126	NO
11	1	SEE TABLE 3	ASSY, BPR, MF, PRIMARY STAGE, ACTUATOR	SEE DWG 30932	YES

ALL DIMENSIONS IN INCHES UNLESS OTHERWISE SPECIFIED	DRAWN E. FAIRCHILD 3/31/2020	SKOFLO INDUSTRIES, INC. WOODINVILLE, WA
DRAWING PER ANSI Y14.5M-2009	ENG1 C. ARNOLD 11/6/2020 ENG2 N. ALLEY 11/9/2020 OTHER	
FRACTIONS ± 1/16 .X ± .03 .XX ± .010 .XXX ± .005 .XXXX ± .0005 ANGULAR ± 3°	UNLESS SPECIFIED DEBURR & BREAK EDGES: .015/.005 Ra SURF QUAL: 63 FILLETS: R.020/.008 DRILL POINT: 110-150°	VALVE ASSEMBLY, BPR5000MFA ACTUATED BOM BPR5000MFA
THIS DOCUMENT CONTAINS INFORMATION WHICH IS PROPRIETARY TO SKOFLO INDUSTRIES INC. THE INFORMATION CONTAINED HEREIN SHALL NOT BE DISCLOSED, DUPLICATED, USED IN WHOLE OR IN PART FOR ANY PURPOSE OTHER THAN TO EVALUATE THIS DOCUMENT		DWG NO SIZE B SCALE NONE SHEET 5 OF 5