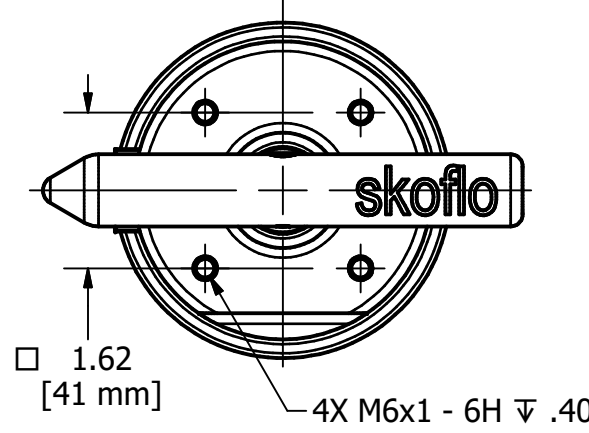
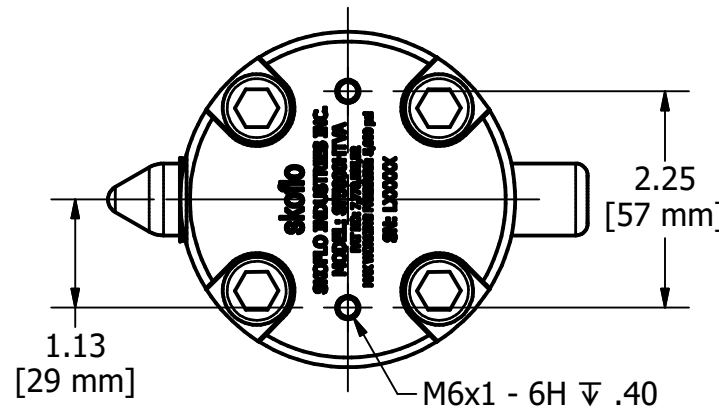
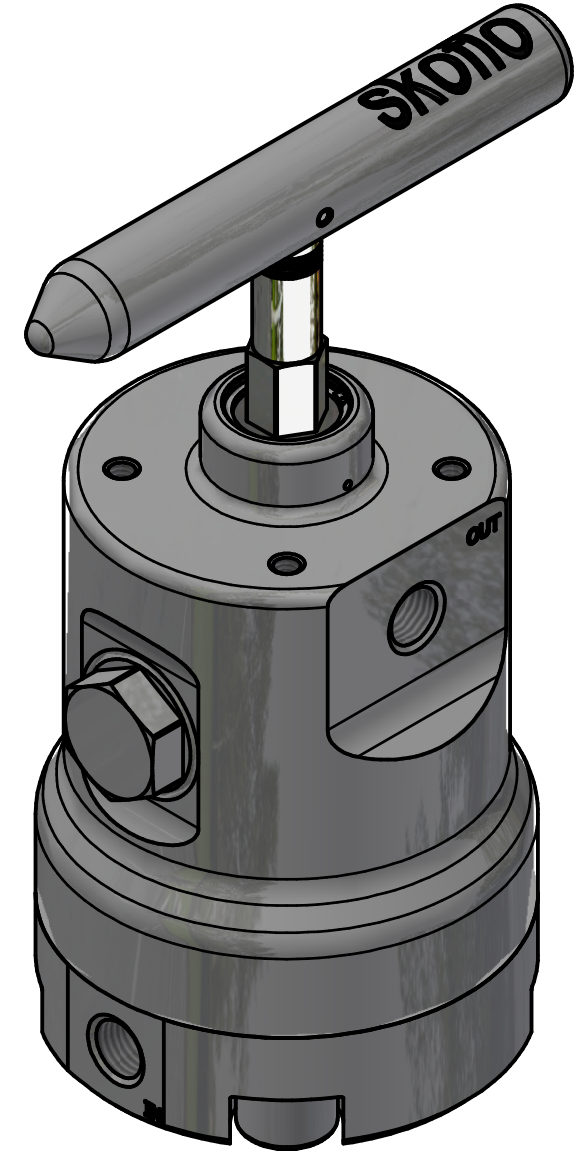
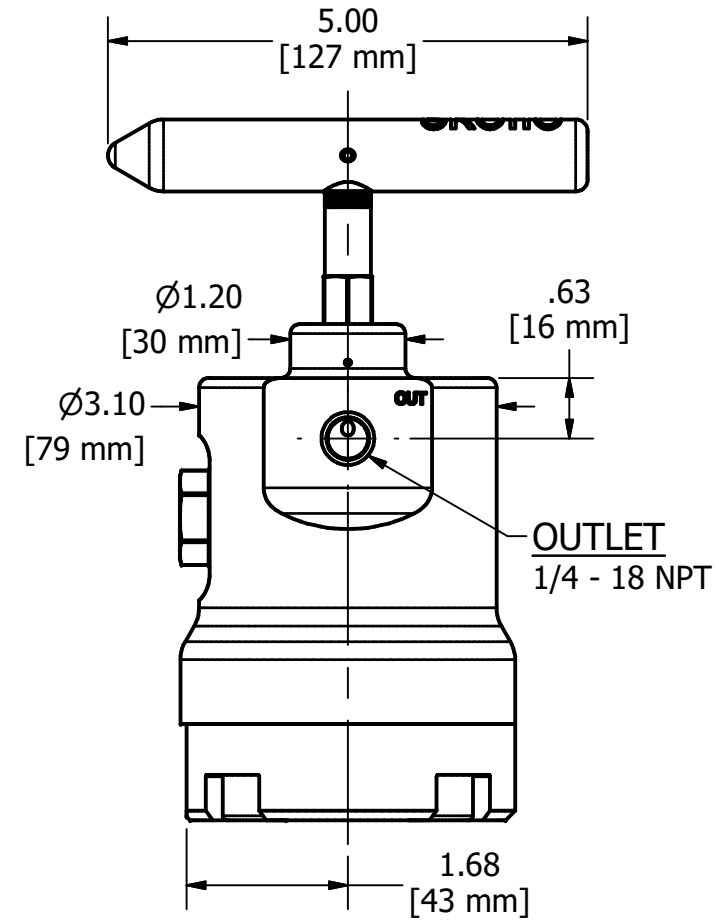
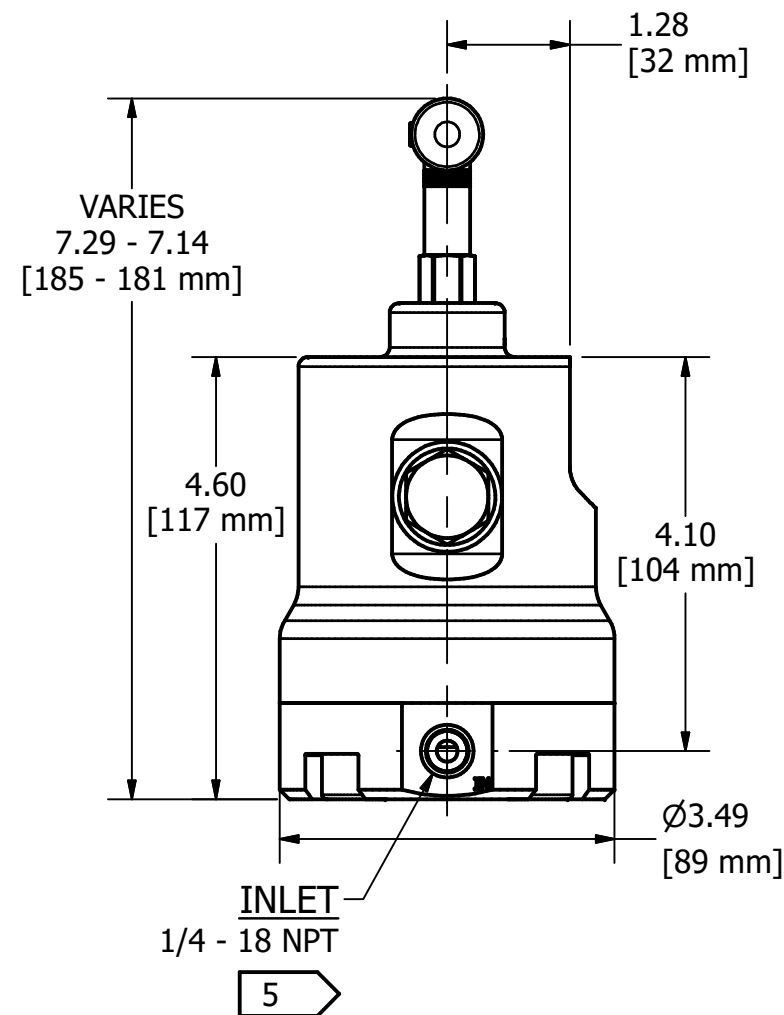


CONFIGURATION NUMBER GUIDE

SF5000HTVA	-	XXXX	-	XXXX	-	XX	-	XX
0.6-700gpd		700D		FFKM		A4	A4-70	MA
50-2500gpd		2500D		FKM		SD	SUPER DUPLEX	RV
FLOW RANGE		FLOW CODE		EPDM		FASTENER CODE	FASTENER MATERIAL	SV
				SEAL MATERIAL				ACTUATION CODE
								ACTUATION TYPE



REVISION HISTORY							
ECN #	REV	DESCRIPTION	DATE	DRAWN	ENG1	ENG2	OTHER
3066	M	REMOVE AT (ROTORK) OPTION; ADD RV (ROTORK VALVE ONLY) OPTION AND SV (SKOFLO VALVE ONLY) OPTION	7/7/20	EF	CA	NA	
3253, 3227	N	SHT 2, TABLE 4: 31357 WAS 31169; UPDATE TORQUE VALUES; REMOVE NOTE 3; ADD STEM LUBRICATION NOTE	4/14/21	WF	JM	NA	
3317	P	ADDED ITEM 7 TO TABLE 2. ADDED 2500 GPD OPTION FOR ITEM 7	6/18/21	CA	JM	JC	
3374	R	SHT 2: ADD ITEM 6 TO TABLE 4; TABLE 4: 31169 WAS 31357, 71007547 WAS 71007247; ITEM 6 MATERIAL WAS PTFE, ITEM 36 MATERIAL WAS "SEE DWG"	12/2/21	EF	JM	WF	



- NOTES:
- 1) NOMINAL WEIGHT = 11.3 lb [5.1 kg]
 - 2) RATED WORKING PRESSURE = 5,000 psi [345 bar]
 - 3) FLOW RATE RANGES:
 - a) 0.6 - 700 gpd
 - b) 50 - 2,500 gpd
 - 4) MANUAL CONFIGURATION SHOWN
 - 5) ORIENTATION CAN BE ADJUSTED IN 90° INCREMENTS

ALL DIMENSIONS IN INCHES UNLESS OTHERWISE SPECIFIED	DRAWN J.MOORE 7/20/2018	SKOFLO INDUSTRIES, INC. WOODINVILLE, WA
DRAWING PER ANSI Y14.5M-2009	ENG1 S.SPAHI 7/20/2018	
FRACTIONS ± 1/16 X ± .03 .XX ± .010 .XXX ± .005 XXXX ± .0005 ANGULAR ± 3°	ENG2 J.DUSCHLETTA 7/20/2018	VALVE ASSEMBLY, SURFACE, SF5000HTVA
UNLESS SPECIFIED DEBURRED & BREAK EDGES: 0.15/0.05 Ra SURF. QUAL: 63 FILLET: R.020/0.008 DRILL POINT: 110-150°	OTHER	
THIS DOCUMENT CONTAINS INFORMATION WHICH IS PROPRIETARY TO SKOFLO INDUSTRIES INC. THE INFORMATION CONTAINED HEREIN SHALL NOT BE DISCLOSED, DUPLICATED, USED IN WHOLE OR IN PART FOR ANY PURPOSE OTHER THAN TO EVALUATE THIS DOCUMENT		DWG NO SF5000HTVA-MA
SIZE B SCALE NONE SHEET 1 OF 2		REV R

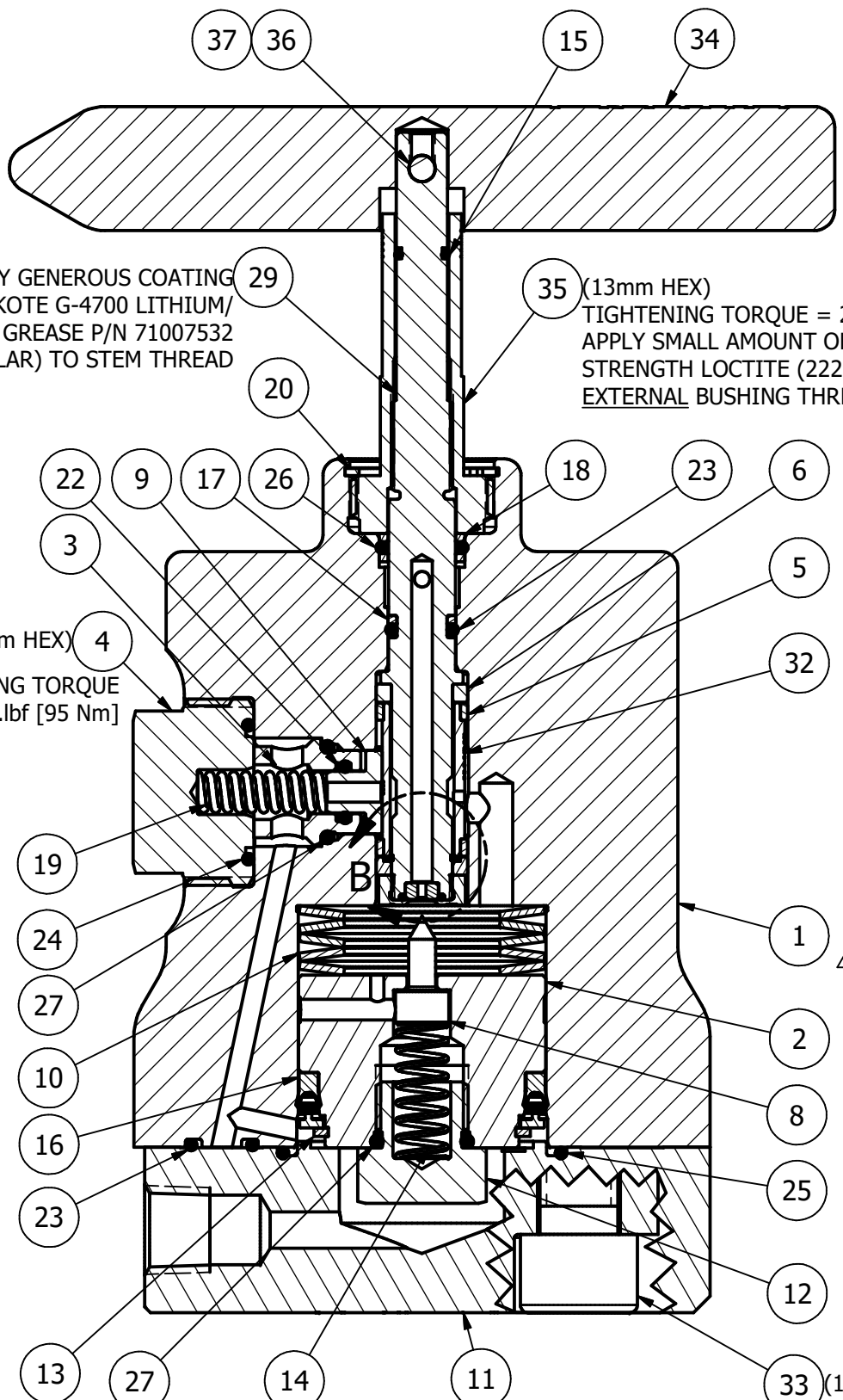
PARTS LIST					
ITEM	QTY	PART NUMBER	DESCRIPTION	MATERIAL	PRESSURE CONTAINING
1	1	30413	BODY, 5KSI, SURFACE HTV	NITRONIC 50 HS	YES
2	1	30421	PISTON, SURFACE HTV	NITRONIC 50 HS	NO
3	1	30425	RETAINER, SEAL, GATE PAD, HTV	316 SS	NO
4	1	30426	PLUG, GATE PAD, SURFACE HTV	NITRONIC 50 HS	YES
5	2	30431	GUIDE RING, GATE, SURFACE HTV	PEEK	NO
6	1	SEE TABLE 4	GUIDE RING, STEM, TOP, SURFACE HTV	PTFE/PEEK	NO
7	1	SEE TABLE 2	RETAINER, SEAT, SURFACE HTV	SEE TABLE 2	NO
8	1	30471	PIN, CERAMIC, .165	ZIRCONIA 3Y-TZP	NO
9	1	30512	PAD, GATE, SURFACE HTV	ZIRCONIA	NO
10	1	30513	SPRING, WASHER, STACK 5	INCONEL 718	NO
11	1	30518	BASE, SERIALIZED, 5KSI, HTV	316 SS	YES
12	1	30841	PLUG, PISTON, SURFACE HTV	316 SS	NO
13	1	71001948	SPIRAL RING, WST-118-S16	316 SS	NO
14	1	71006907	SPRING, COIL, Ø.258 X 1.02, PISTON	ELGILOY	NO
15	1	71006956	SL, O-RING, 1.2mm CS X 6mm ID	EPDM	NO
16	1	71006962	SL, CUP, PISTON, HTD	SEE DWG 71006962	NO
17	1	71006998	SL, BU RING, .304 ID X .053W X .050T	PTFE	NO
18	2	71006999	SL, BU RING, .410 ID X .054W X .050T	PTFE	NO
19	1	71007048	SPRING, COIL, Ø.250 X 1.00, GATE PAD	ELGILOY	NO
20	1	71007136	SLRG, INTERNAL, Ø.875, FHL-94-HAS	HASTELLOY C-276	NO
21	1	71007137	SLRG, EXTERNAL, .375, WSM-37-S16	316 SS	NO
22	1	SEE TABLE 1	SL, O-RING, 2-010	SEE TABLE 1	NO
23	2	SEE TABLE 1	SL, O-RING, 2-011	SEE TABLE 1	YES
24	1	SEE TABLE 1	SL, O-RING, 2-018	SEE TABLE 1	YES
25	1	SEE TABLE 1	SL, O-RING, 2-030	SEE TABLE 1	YES
26	1	SEE TABLE 1	SL, O-RING, 2-905	SEE TABLE 1	YES
27	2	SEE TABLE 1	SL, ORING, 3-906	SEE TABLE 1	NO
28	1	SEE TABLE 1	SL, O-RING, M5 X 1	SEE TABLE 1	NO
29	1	SEE TABLE 2	STEM, SURFACE HTV	NITRONIC 50 HS	YES
30	1	SEE TABLE 2	SEAT, PILL STYLE	ALUMINA-CERAMIC	NO
31	1	SEE TABLE 2	GUIDE RING, STEM, BOTTOM, SURFACE HTV	PTFE	NO
32	1	SEE TABLE 2	GATE, COATED, SURFACE HTV	NITRONIC 50 HS	NO
33	4	SEE TABLE 3	SHCS, M12 X 1.75 X 30MM	SEE TABLE 3	YES
34	1	SEE TABLE 4	HANDLE, SURFACE HTV	SEE DWG	NO
35	1	SEE TABLE 4	BUSHING, STEM, SURFACE HTV	SEE DWG	YES
36	1	SEE TABLE 4	FASTENER, HANDLE	18-8 SS	NO
37	1	SEE TABLE 4	SHSS, M4x0.7x3LG, FLAT POINT	18-8 SS	NO

ITEM	FFKM	FKM	EPDM	DESCRIPTION
22	71006901	71006807	71001738	SL, O-RING, 2-010
23	71001744	71006921	71006952	SL, O-RING, 2-011
24	71001769	71006961	71001766	SL, O-RING, 2-018
25	71005574	71006926	71005377	SL, O-RING, 2-030
26	71006915	71006918	71006917	SL, O-RING, 2-905
27	71001820	71002333	71006912	SL, O-RING, 3-906
28	71006953	71006922	71006954	SL, O-RING, M5 X 1

ITEM	0.6-700gpd	50-2500gpd	DESCRIPTION
7	30433 (316 SS)	31409 (NITRONIC 50)	RETAINER, SEAT, SURFACE HTV
29	30415	30514	STEM, SURFACE, HTV
30	30470	30516	SEAT, PILL STYLE
31	30828	30826	GUIDE RING, STEM, SURFACE HTV
32	30428	30831	GATE, COATED, SURFACE HTV

ITEM	A4-70	SUPER DUPLEX
33	71006909	71007210

ITEM	MANUAL	RV	SV	DESCRIPTION
6	30432	31381		GUIDE RING, STEM
34	30435	30944	30991	HANDLE, SURFACE HTV
35	30427	31169		BUSHING, STEM, SURFACE HTV
36	71007037	71007547		FASTENER, HANDLE
37	N/A	71007417		SHSS, M4x0.7x3LG, FLAT POINT

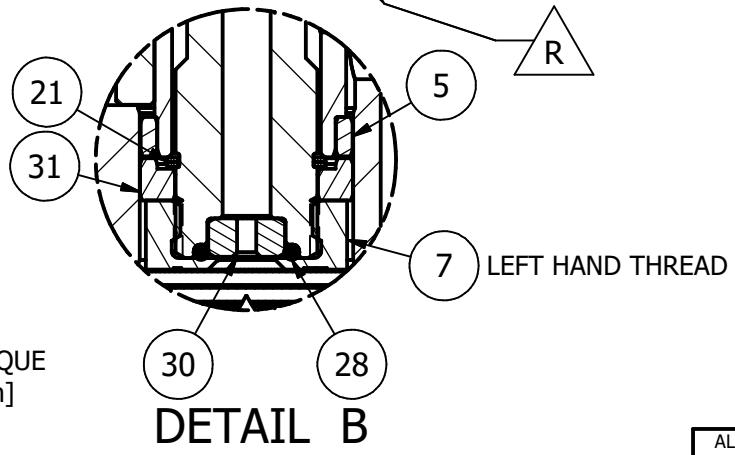


APPLY GENEROUS COATING OF MOLYKOTE G-4700 LITHIUM/MOLY GREASE P/N 71007532 (OR SIMILAR) TO STEM THREAD

(13mm HEX) TIGHTENING TORQUE = 20 ft.lbf [27 Nm] APPLY SMALL AMOUNT OF LOW STRENGTH LOCTITE (222MS) TO EXTERNAL BUSHING THREAD

(23mm HEX) TIGHTENING TORQUE = 70 ft.lbf [95 Nm]

(10mm HEX) TIGHTENING TORQUE = 45 ft.lbf [61 Nm]



NOTES CONTINUED:

6) COAT THREAD WITH DYNATEX ANTI-SEIZE LUBRICATING COMPOUND (OR SIMILAR)

7) LUBRICATE ALL SEALS WITH PARKER SLUBE 884-4 (OR SIMILAR)

8) SEE O&M OR SF5000HTVA-MA-SK FOR SPARES KITS PART LISTS

ALL DIMENSIONS IN INCHES UNLESS OTHERWISE SPECIFIED	DRAWN J.MOORE 7/20/2018	SKOFLO INDUSTRIES, INC. WOODINVILLE, WA
DRAWING PER ANSI Y14.5M-2009	ENG1 S.SPAHI 7/20/2018	
FRACTIONS ± 1/16 X ± .03 .XX ± .010 .XXX ± .005 X.XX ± .0005 ANGULAR ± 3°		VALVE ASSEMBLY, SURFACE, SF5000HTVA
UNLESS SPECIFIED DEBURRED & BREAK EDGES: 0.15/005 Ra SURF. QVAL: 63 FILLET: R.020/008 DRILL POINT: 110-150°	ENG2 J.DUSCHLETTA 7/20/2018	DWG NO SF5000HTVA-MA
THIS DOCUMENT CONTAINS INFORMATION WHICH IS PROPRIETARY TO SKOFLO INDUSTRIES INC. THE INFORMATION CONTAINED HEREIN SHALL NOT BE DISCLOSED, DUPLICATED, USED IN WHOLE OR IN PART FOR ANY PURPOSE OTHER THAN TO EVALUATE THIS DOCUMENT		SHEET 2 OF 2 SCALE NONE