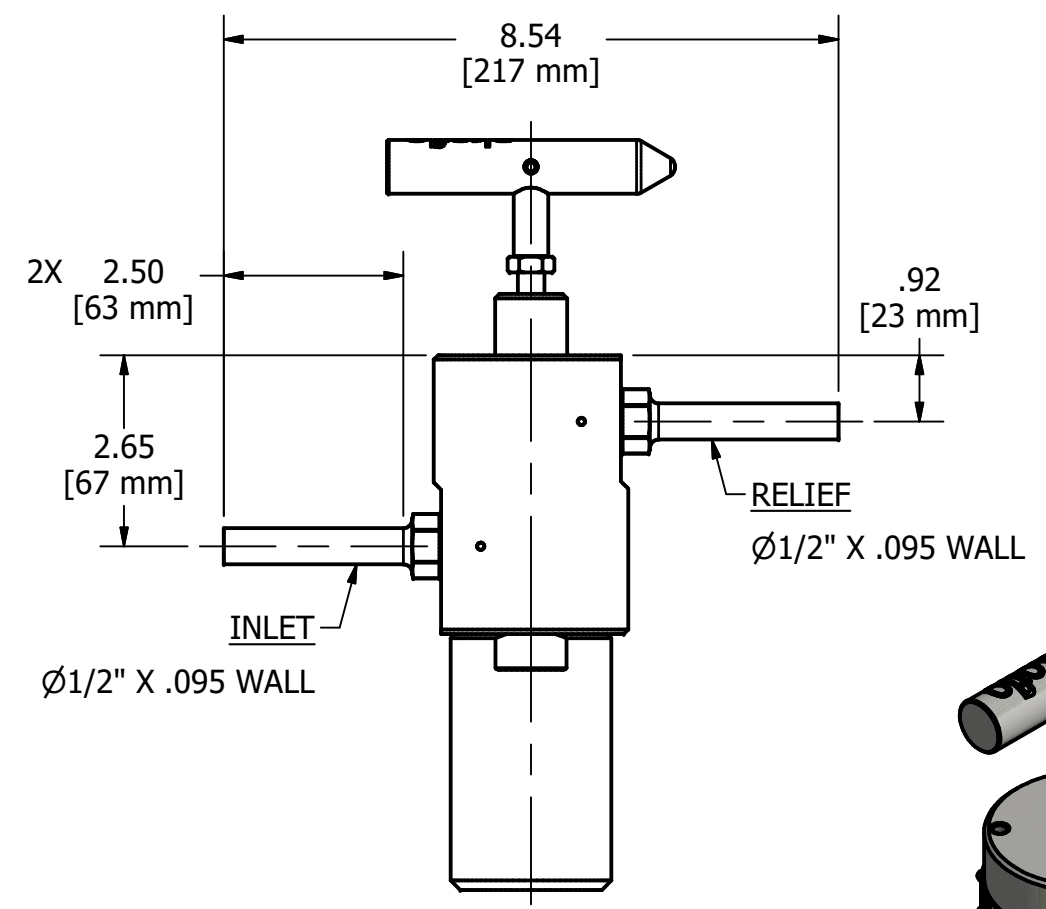
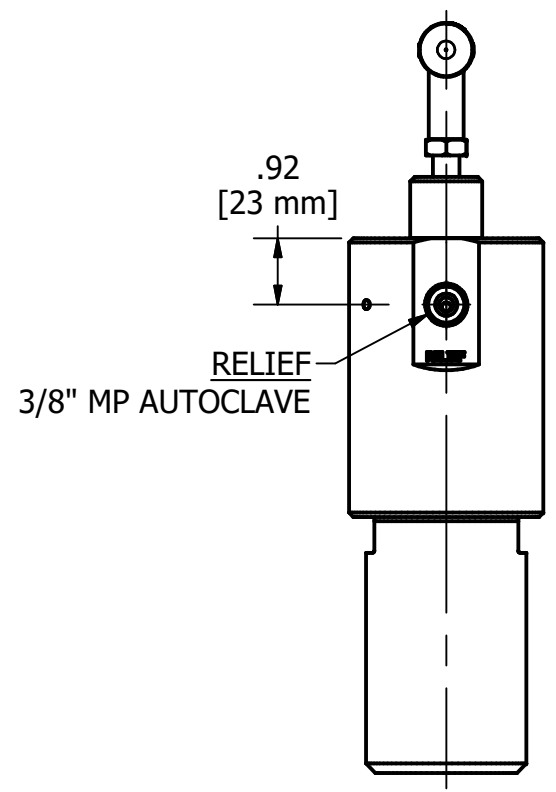
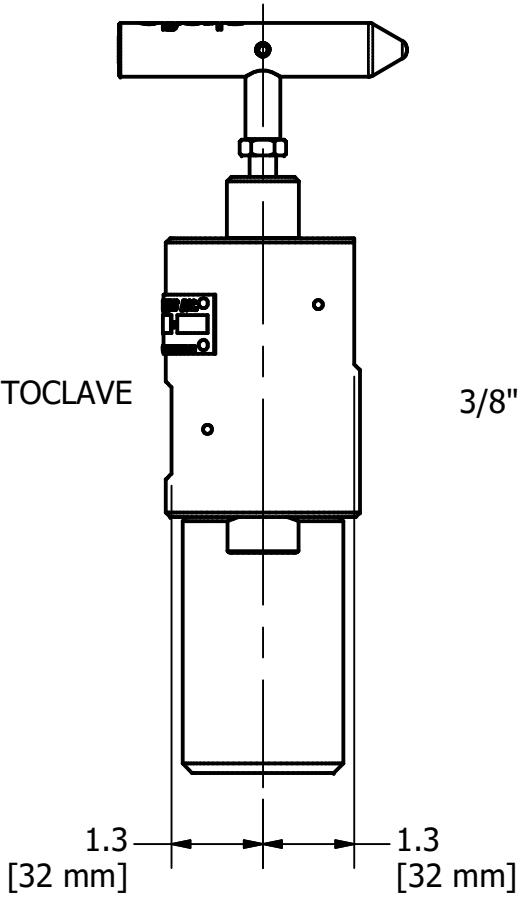
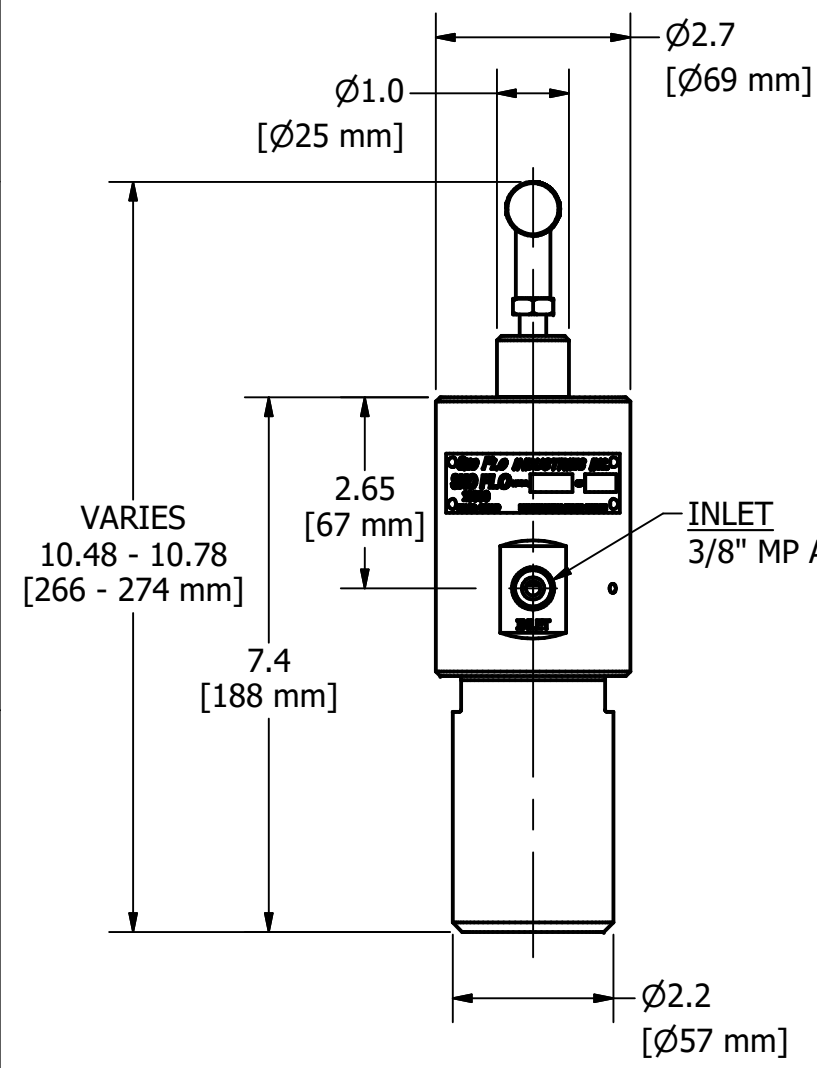
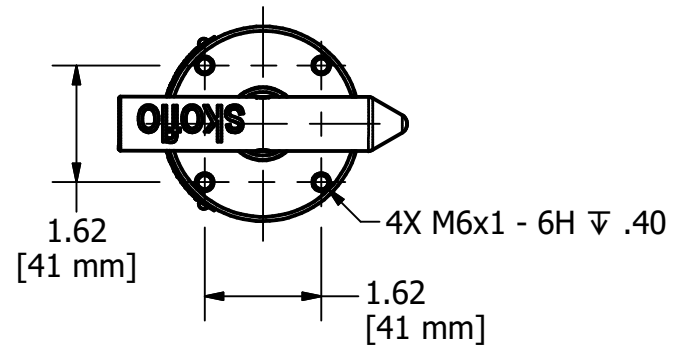
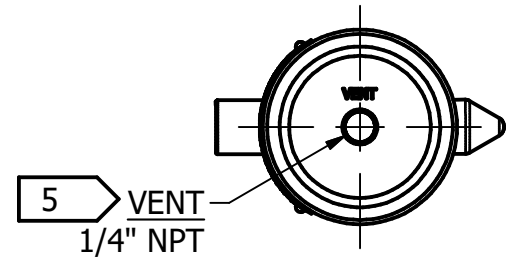
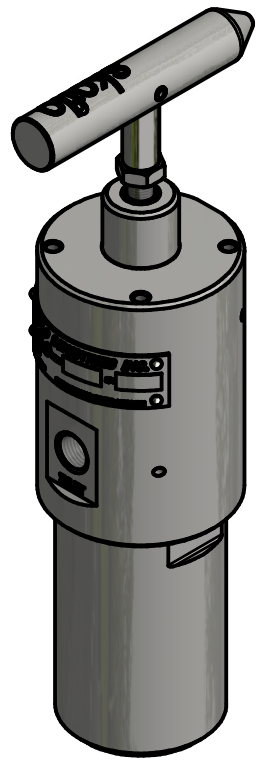


REVISION HISTORY							
ECN #	REV	DESCRIPTION	DATE	DRAWN	ENG1	ENG2	OTHER
2868	C	ON SHT 3, TABLE 1, UPDATED COLUMN FFKM TO REFLECT "ISOLAST" BRAND O-RING P/N's; ON SHT 3, ADD NOTE 13	11/25/19	PTS	JM	NA	
3095	D	SHT 3: 71001887 WAS 71001922	10/6/20	EF	JC	JM	
3216	E	SHT 3: ADD 22111 AND 22112 TO TABLE 4; ADD 0-2,500 PSI AND 2,000-5,000 PSI OPTIONS TO CONFIGURATION GUIDE ON SHEETS 3 AND 4	1/28/21	EF	JM	JC	
3603	F	SHT 3: UPDATE TABLE 1 TO CLARIFY ITEM 18 IS ONLY USED FOR FKO HUBS, REMOVE NOTE 12, RENUMBERED REMAINING NOTES	4/19/23	EF	JM	JC	

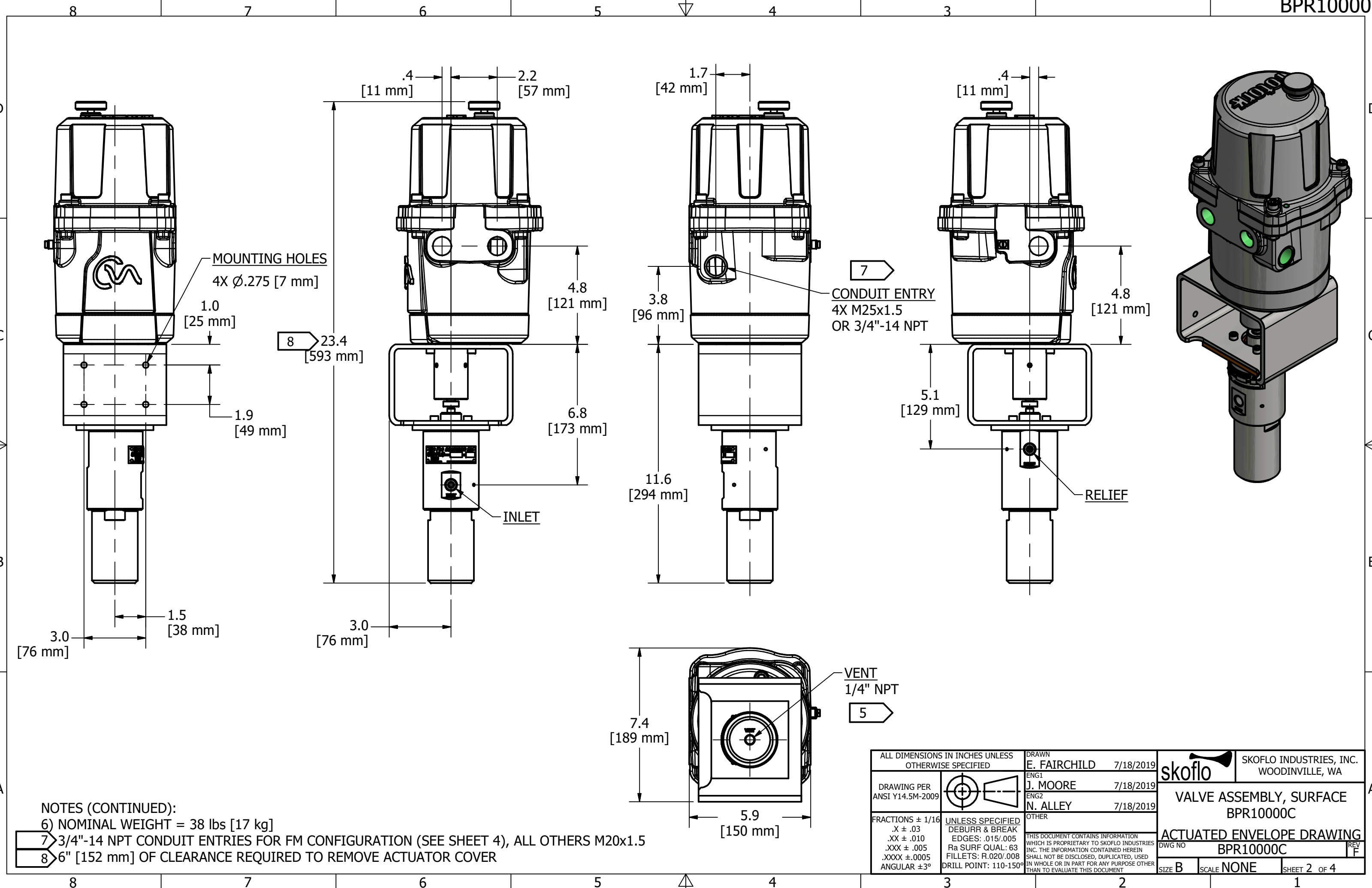


BPR10000C-X-X-XXXX-FK-MA




- NOTES:
- 1) NOMINAL WEIGHT (WITHOUT HUBS) = 18 lbs [8 kg]
 - 2) RATED WORKING PRESSURE = 10,000 psi [689 bar]
 - 3) PROOF TEST PRESSURE = 15,000 psi [1,034 bar]
 - 4) PRESSURE RANGE = 4,000 - 10,000 psi [275 - 689 bar]
 - 5) DO NOT BLOCK VENT

ALL DIMENSIONS IN INCHES UNLESS OTHERWISE SPECIFIED		DRAWN E. FAIRCILD 7/18/2019		SKOFLO INDUSTRIES, INC. WOODINVILLE, WA
DRAWING PER ANSI Y14.5M-2009		ENG1 J. MOORE 7/18/2019		
FRACTIONS ± 1/16 .X ± .03 .XX ± .010 .XXX ± .005 .XXXX ± .0005 ANGULAR ± 3°	UNLESS SPECIFIED DEBURR & BREAK EDGES: .015/.005 Ra SURF QUAL: 63 FILLET: R.020/.008 DRILL POINT: 110-150°	ENG2 N. ALLEY 7/18/2019	VALVE ASSEMBLY, SURFACE BPR10000C	
THIS DOCUMENT CONTAINS INFORMATION WHICH IS PROPRIETARY TO SKOFLO INDUSTRIES INC. THE INFORMATION CONTAINED HEREIN SHALL NOT BE DISCLOSED, DUPLICATED, USED IN WHOLE OR IN PART FOR ANY PURPOSE OTHER THAN TO EVALUATE THIS DOCUMENT			DWG NO BPR10000C	REV F
SIZE B		SCALE NONE	SHEET 1 OF 4	



NOTES (CONTINUED):

- 6) NOMINAL WEIGHT = 38 lbs [17 kg]
- 7) 3/4"-14 NPT CONDUIT ENTRIES FOR FM CONFIGURATION (SEE SHEET 4), ALL OTHERS M20x1.5
- 8) 6" [152 mm] OF CLEARANCE REQUIRED TO REMOVE ACTUATOR COVER

ALL DIMENSIONS IN INCHES UNLESS OTHERWISE SPECIFIED		DRAWN E. FAIRCHILD 7/18/2019		 SKOFLIO INDUSTRIES, INC. WOODINVILLE, WA
DRAWING PER ANSI Y14.5M-2009		ENG1 J. MOORE 7/18/2019 ENG2 N. ALLEY 7/18/2019 OTHER		
FRACTIONS ± 1/16 .X ± .03 .XX ± .010 .XXX ± .005 .XXXX ± .0005 ANGULAR ± 3°		UNLESS SPECIFIED DEBURR & BREAK EDGES: .015/.005 Ra SURF QUAL: 63 FILLETS: R.020/.008 DRILL POINT: 110-150°		THIS DOCUMENT CONTAINS INFORMATION WHICH IS PROPRIETARY TO SKOFLIO INDUSTRIES INC. THE INFORMATION CONTAINED HEREIN SHALL NOT BE DISCLOSED, DUPLICATED, USED IN WHOLE OR IN PART FOR ANY PURPOSE OTHER THAN TO EVALUATE THIS DOCUMENT
SIZE B SCALE NONE SHEET 2 OF 4		VALVE ASSEMBLY, SURFACE BPR1000C ACTUATED ENVELOPE DRAWING BPR1000C REV F		