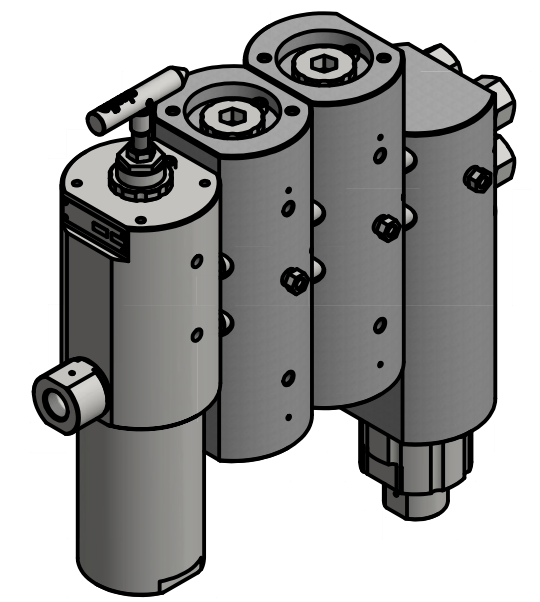
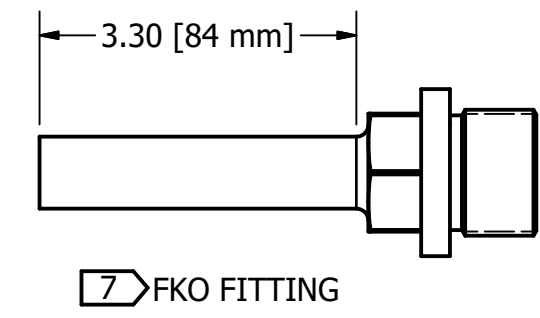
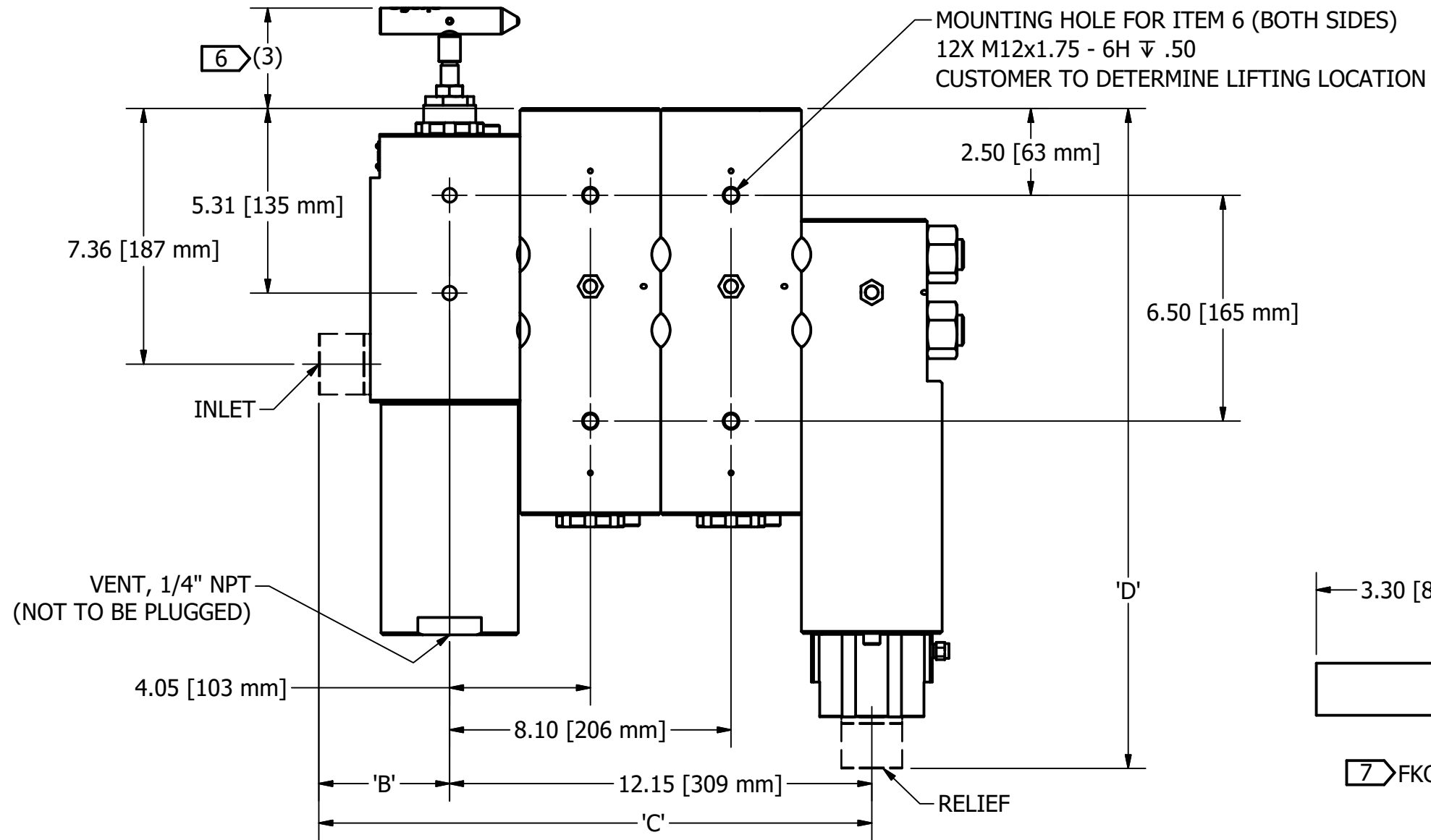
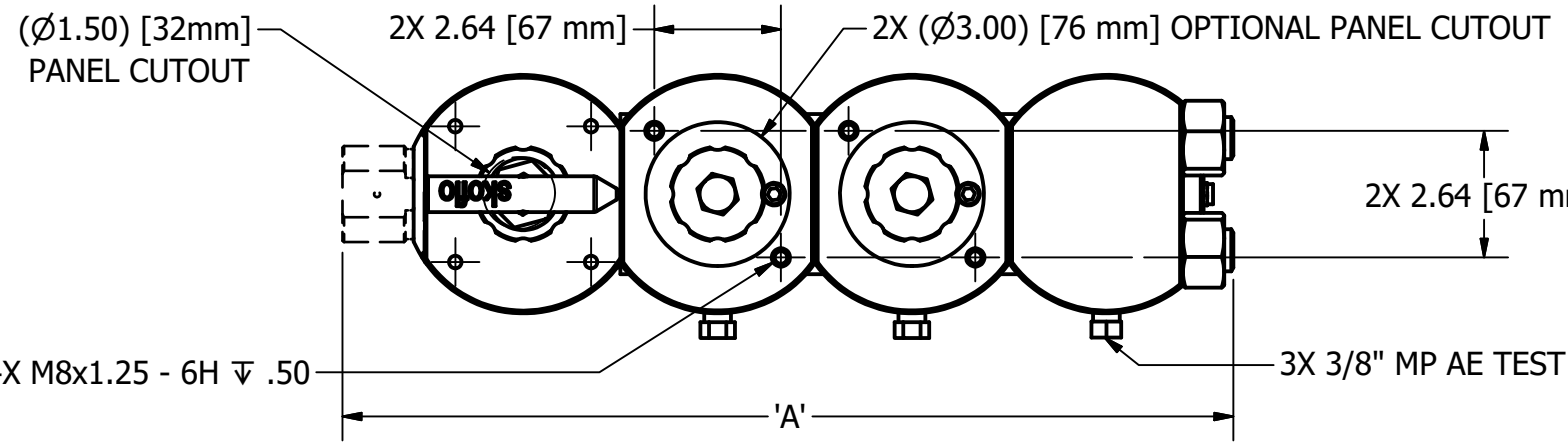


REVISION HISTORY

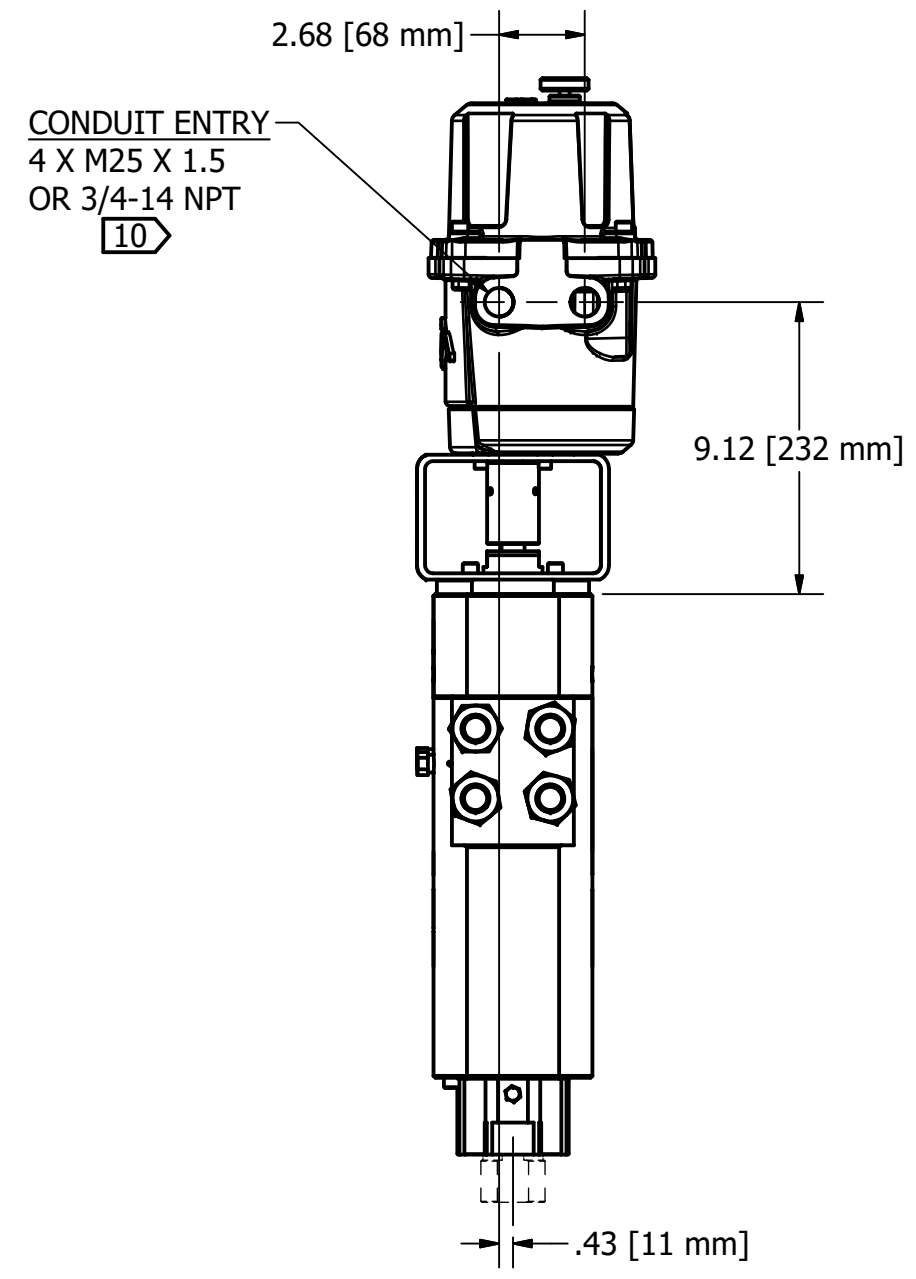
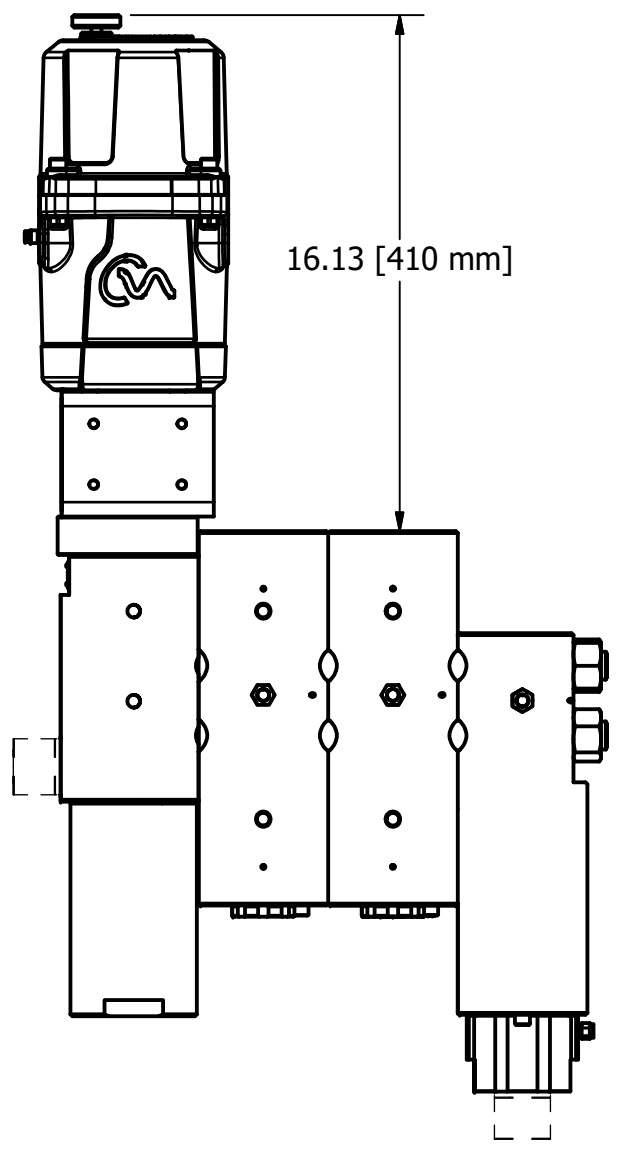
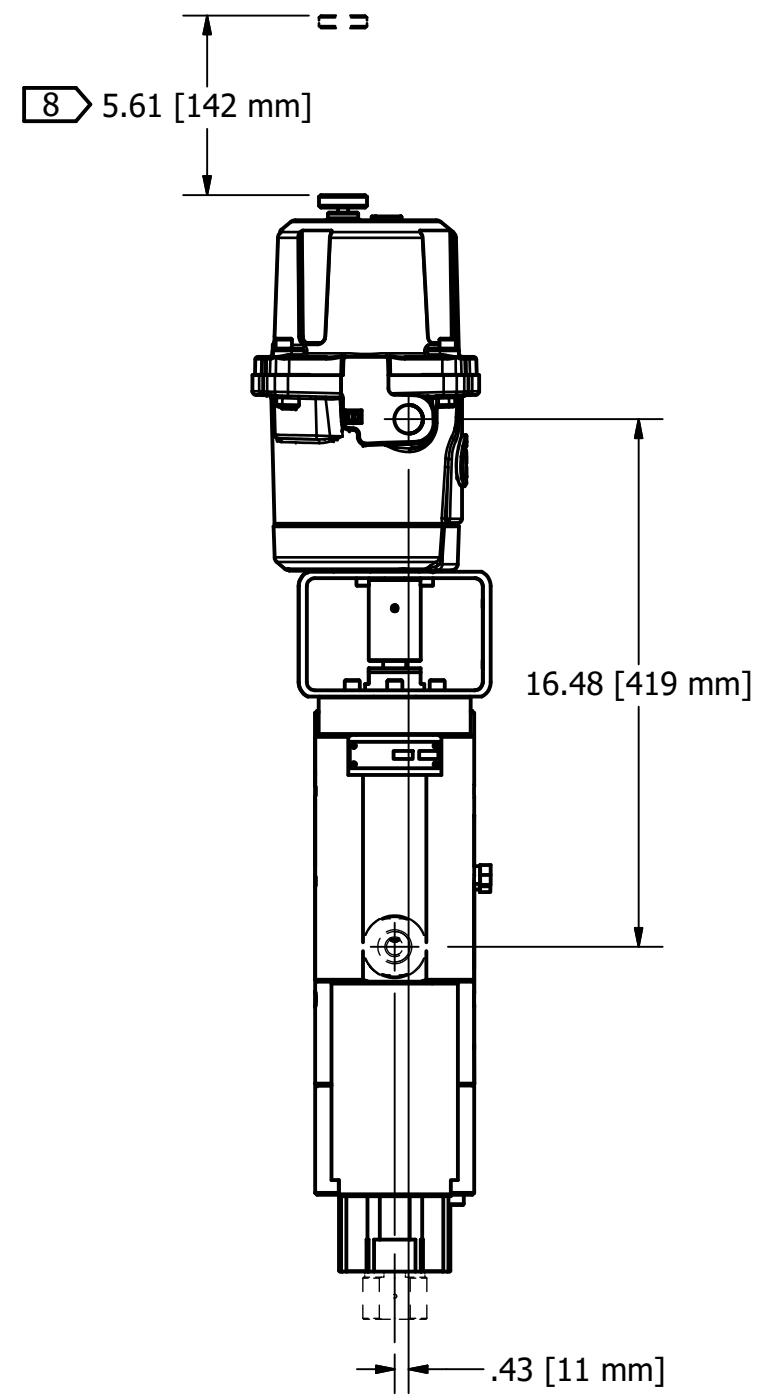
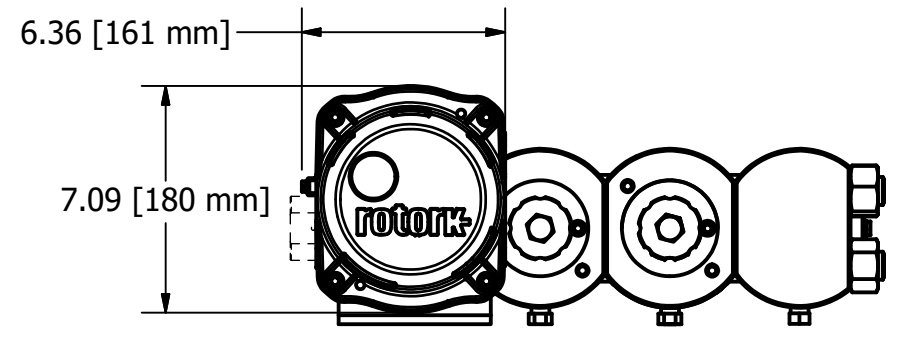
ECN #	REV	DESCRIPTION	DATE	DRAWN	ENG1	ENG2	OTHER
	A	INITIAL RELEASE	9/6/19	JM	CA	NA	
2790	B	ON SHT 4, TABLE #2 CORRECTED P/N ENTRY FOR 2GR16 HUB	9/10/19	PTS	JM	CA	
2860	C	SEPARATED AC VOLTAGES IN CONFIGURATIONS, ON SHT 5 ADD ITEM 13 ACTUATOR FASTENERS	11/15/19	JC	CA	JM	
3036	D	SHT 4: 71002142 WAS 71002143	9/3/20	EF	NA	JM	




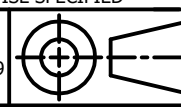
- NOTES:
- 1) RATED WORKING PRESSURE = 10,000 PSI [690 BAR]
 - 2) PROOF TEST PRESSURE = 15,000 PSI [1,034 BAR]
 - 3) FLOW RATE RANGE: 0.5-15 GPM [2.3-68 LPM]
 - 4) BPR10000MFB-XXXX-XXXX-MA SHOWN
 - 5) MANUAL NOMINAL WEIGHT: 232 LB [105 KG]
 - 6) VALVE IN CLOSED POSITION
 - 7) MALE FKO TUBE STUB, Ø3/4" X .134 WALL, SHIPPED UNCONNECTED FROM VALVE

HUB TYPE	'A' (in.) [mm]	'B' (in.) [mm]	'C' (in.) [mm]	'D' (in.) [mm]
75FK	21.33 [542]	6.54 [166]	18.56 [471]	21.73 [552]
75MP	18.95 [481]	3.76 [96]	15.91 [404]	19.00 [483]
MPIH	19.95 [507]	5.55 [141]	17.70 [450]	20.79 [528]
1GR5	18.55 [471]	3.76 [96]	15.91 [404]	19.00 [483]
1GR7	20.93 [532]	6.14 [156]	18.18 [462]	21.38 [543]
2GR16	19.83 [504]	5.04 [128]	17.19 [437]	20.27 [515]

ALL DIMENSIONS IN INCHES UNLESS OTHERWISE SPECIFIED	DRAWN J. MOORE 9/6/2019		SKOFLO INDUSTRIES, INC. WOODINVILLE, WA
DRAWING PER ANSI Y14.5M-2009	ENG1 C. ARNOLD 9/6/2019 ENG2 N. ALLEY 9/6/2019 OTHER		
FRACTIONS ± 1/16 .X ± .03 .XX ± .010 .XXX ± .005 .XXXX ± .0005 ANGULAR ± 3°	UNLESS SPECIFIED DEBURR & BREAK EDGES: .015/.005 Ra SURF QUAL: 63 FILLETS: R.020/.008 DRILL POINT: 110-150°	VALVE ASSEMBLY, BPR10000MFB	
THIS DOCUMENT CONTAINS INFORMATION WHICH IS PROPRIETARY TO SKOFLO INDUSTRIES INC. THE INFORMATION CONTAINED HEREIN SHALL NOT BE DISCLOSED, DUPLICATED, USED IN WHOLE OR IN PART FOR ANY PURPOSE OTHER THAN TO EVALUATE THIS DOCUMENT		MANUAL ENVELOPE DRAWING BPR10000MFB	SHEET 1 OF 5



- NOTES CONTINUED:
- 8 COVER REMOVAL ALLOWANCE
 - 9) ACTUATED NOMINAL WEIGHT = 239 lbs. [108 KG]
 - 10 3/4"-14 NPT CONDUIT ENTRIES FOR FM CONFIGURATION (SEE SHEET 4), ALL OTHERS M20x1.5

ALL DIMENSIONS IN INCHES UNLESS OTHERWISE SPECIFIED		DRAWN J. MOORE 9/6/2019	 SKOFLO INDUSTRIES, INC. WOODINVILLE, WA
DRAWING PER ANSI Y14.5M-2009		ENG1 C. ARNOLD 9/6/2019 ENG2 N. ALLEY 9/6/2019 OTHER	
FRACTIONS ± 1/16 .X ± .03 .XX ± .010 .XXX ± .005 .XXXX ± .0005 ANGULAR ± 3°	UNLESS SPECIFIED DEBURR & BREAK EDGES: .015/.005 Ra SURF QUAL: 63 FILLETS: R.020/.008 DRILL POINT: 110-150°	THIS DOCUMENT CONTAINS INFORMATION WHICH IS PROPRIETARY TO SKOFLO INDUSTRIES, INC. THE INFORMATION CONTAINED HEREIN SHALL NOT BE DISCLOSED, DUPLICATED, USED IN WHOLE OR IN PART FOR ANY PURPOSE OTHER THAN TO EVALUATE THIS DOCUMENT.	
		DWG NO BPR10000MFB	VALVE ASSEMBLY, BPR10000MFB ACTUATED ENVELOPE DRAWING REV D
		SIZE B	SCALE NONE
		SHEET 2 OF 5	