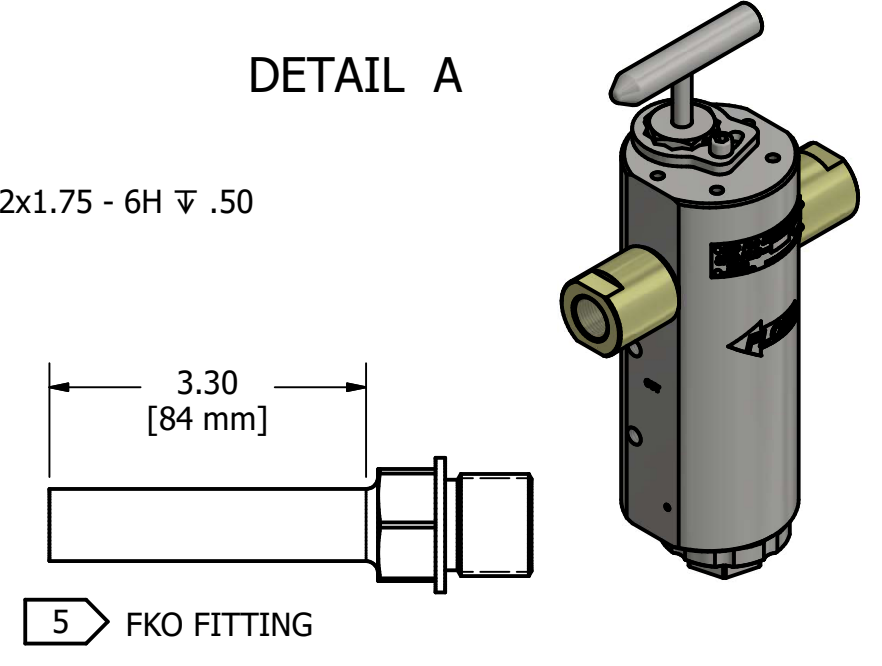
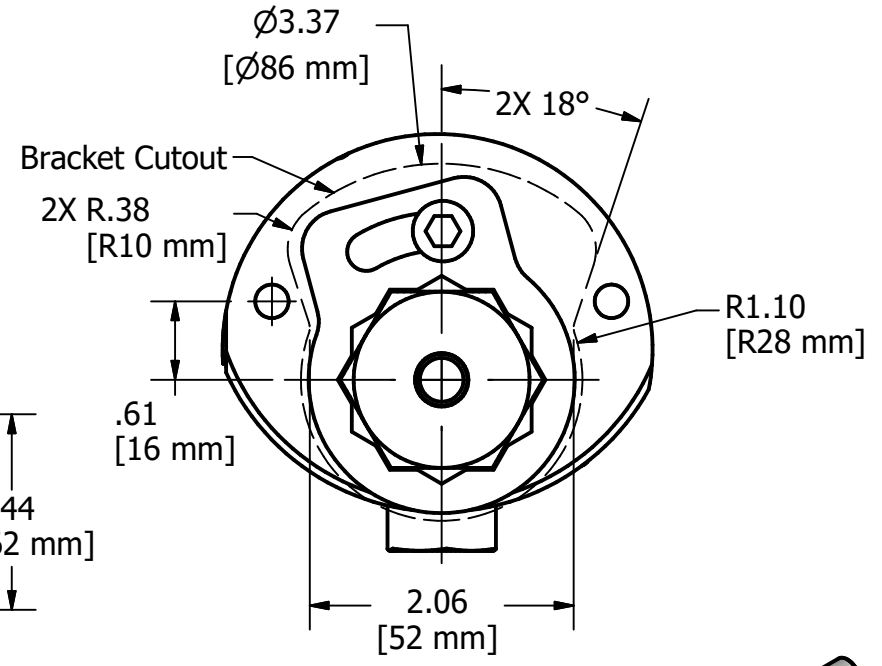
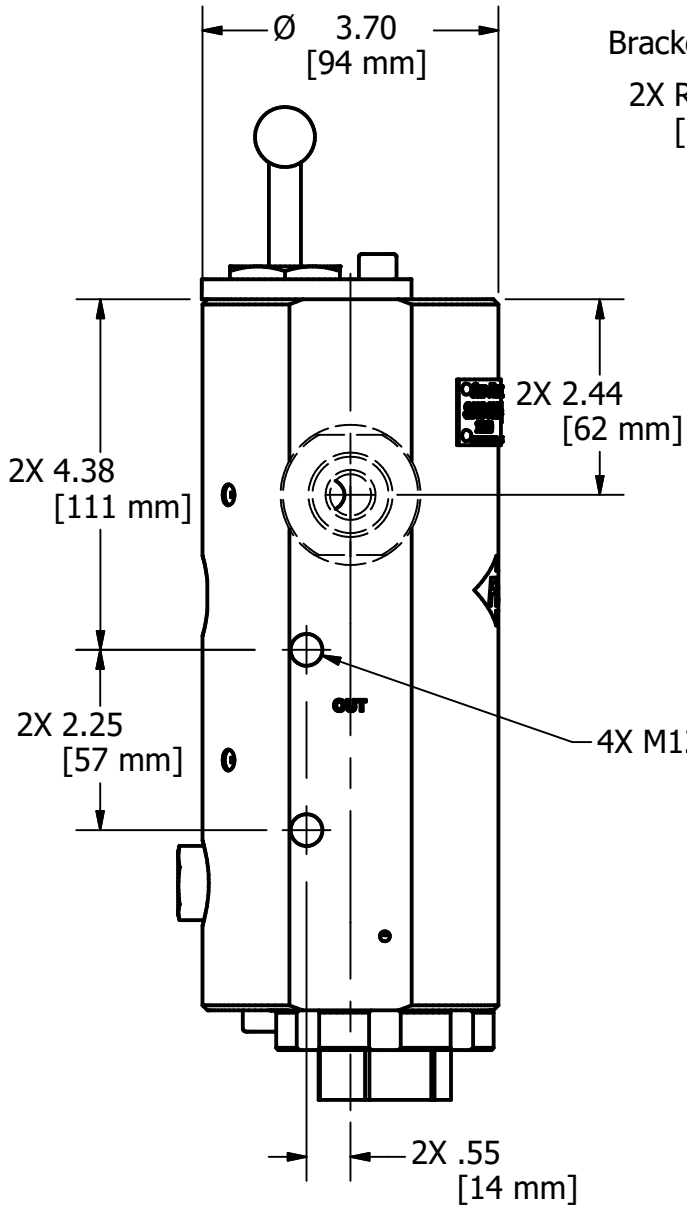
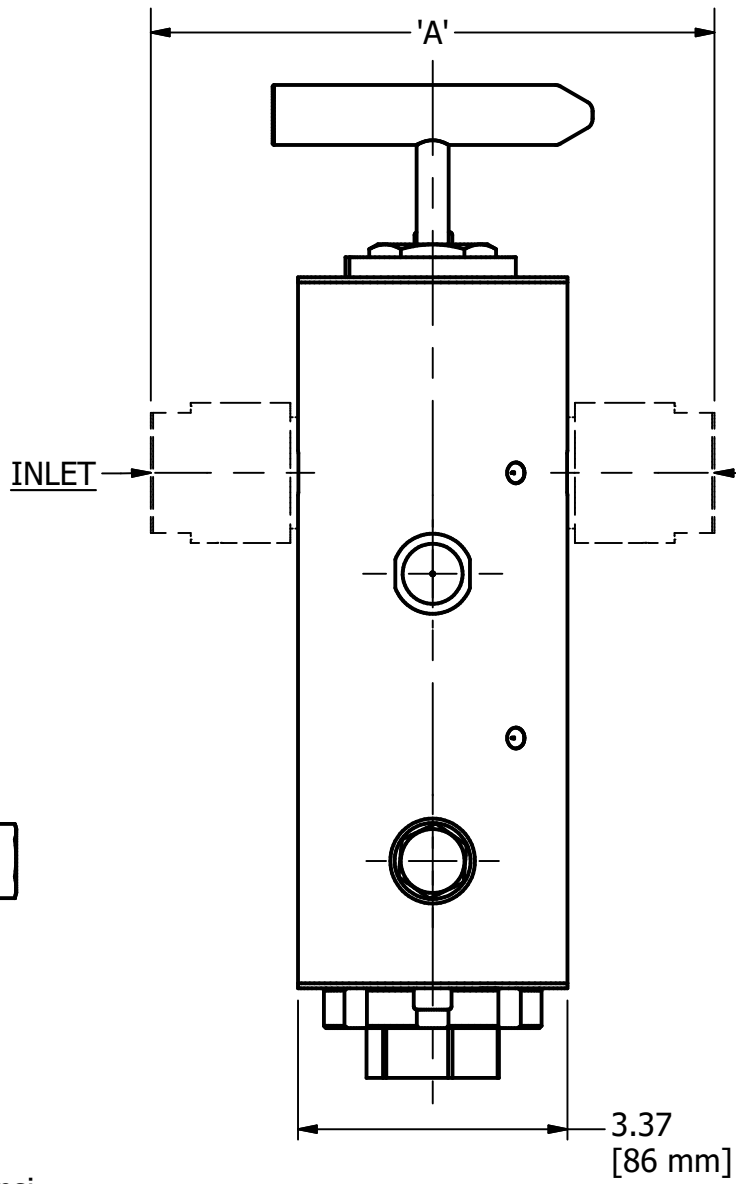
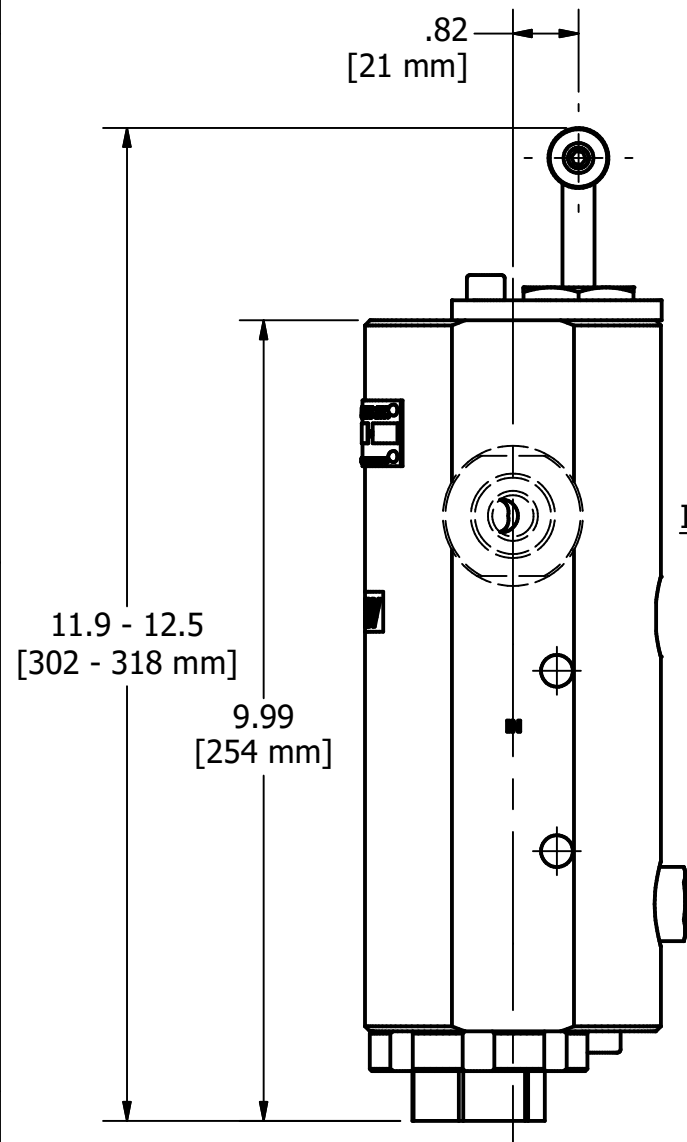
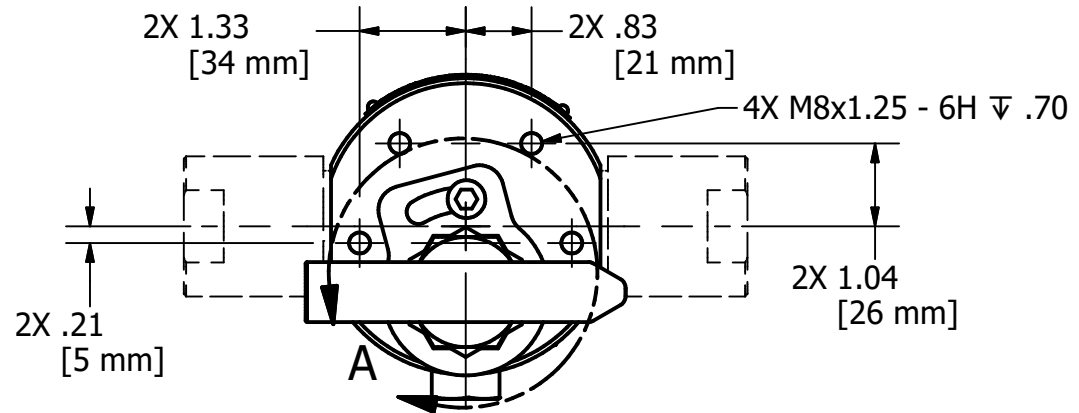


REVISION HISTORY							
ECN #	REV	DESCRIPTION	DATE	DRAWN	ENG1	ENG2	OTHER
3125	H	SHT1 REMOVE PROOF TEST PRESSURE NOTE; SHT5 ADD NOTE 14, ADD PROFIBUS OPTION	09/04/20	WF	JM	CA	
3310	J	SHT 4, TABLE 2: 31398 WAS 20617	9/17/21	EF	JC	JM	
3734	K	SHT 5: ADD MODBUS OPTION, REMOVE NON STANDARD OPTION NOTE (FIELDBUS, HART, AND PROFIBUS ARE NOW CONFIGURABLE BY SKOFLO)	6/28/23	SI	JM	WF	
3740	L	SHT 4: 71001741 WAS 71007006, ITEM 40 WAS NOT PRESSURE CONTAINING	7/5/23	SI	JC	WF	



- NOTES:
- 1) RATED WORKING PRESSURE = 10,000 psi
 - 2) FLOW RATE RANGES:
 - a) 0.1 - 2 GPM
 - b) 0.25 - 12 GPM
 - 3) SF10000NMFE-XX-XXXX-75MP-MA SHOWN
 - 4) MANUAL NOMINAL WEIGHT = 32lbs [14.5Kg]
- 5) MALE FKO TUBE STUB, Ø3/4" X .134 WALL, SHIPPED UNCONNECTED FROM VALVE

HUB TYPE	'A' (in.)	'A' (mm)
75FK	11.61	295
75MP	7.05	179
1GR4	7.10	180
1GR5	7.10	180
1GR7	7.10	180

ALL DIMENSIONS IN INCHES UNLESS OTHERWISE SPECIFIED

DRAWING PER ANSI Y14.5M-2009

FRACTIONS ± 1/16
 .X ± .03
 .XX ± .010
 .XXX ± .005
 .XXXX ± .0005
 ANGULAR ± 3°

UNLESS SPECIFIED DEBURR & BREAK EDGES: .015/.005
 Ra SURF QUAL: 63
 FILLETS: R.020/.008
 DRILL POINT: 110-150°

DRAWN C.ARNOLD 5/1/2019
 ENG1 J.MOORE 7/1/2019
 ENG2 N.ALLEY 7/1/2019
 OTHER

THIS DOCUMENT CONTAINS INFORMATION WHICH IS PROPRIETARY TO SKOFLO INDUSTRIES INC. THE INFORMATION CONTAINED HEREIN SHALL NOT BE DISCLOSED, DUPLICATED, USED IN WHOLE OR IN PART FOR ANY PURPOSE OTHER THAN TO EVALUATE THIS DOCUMENT

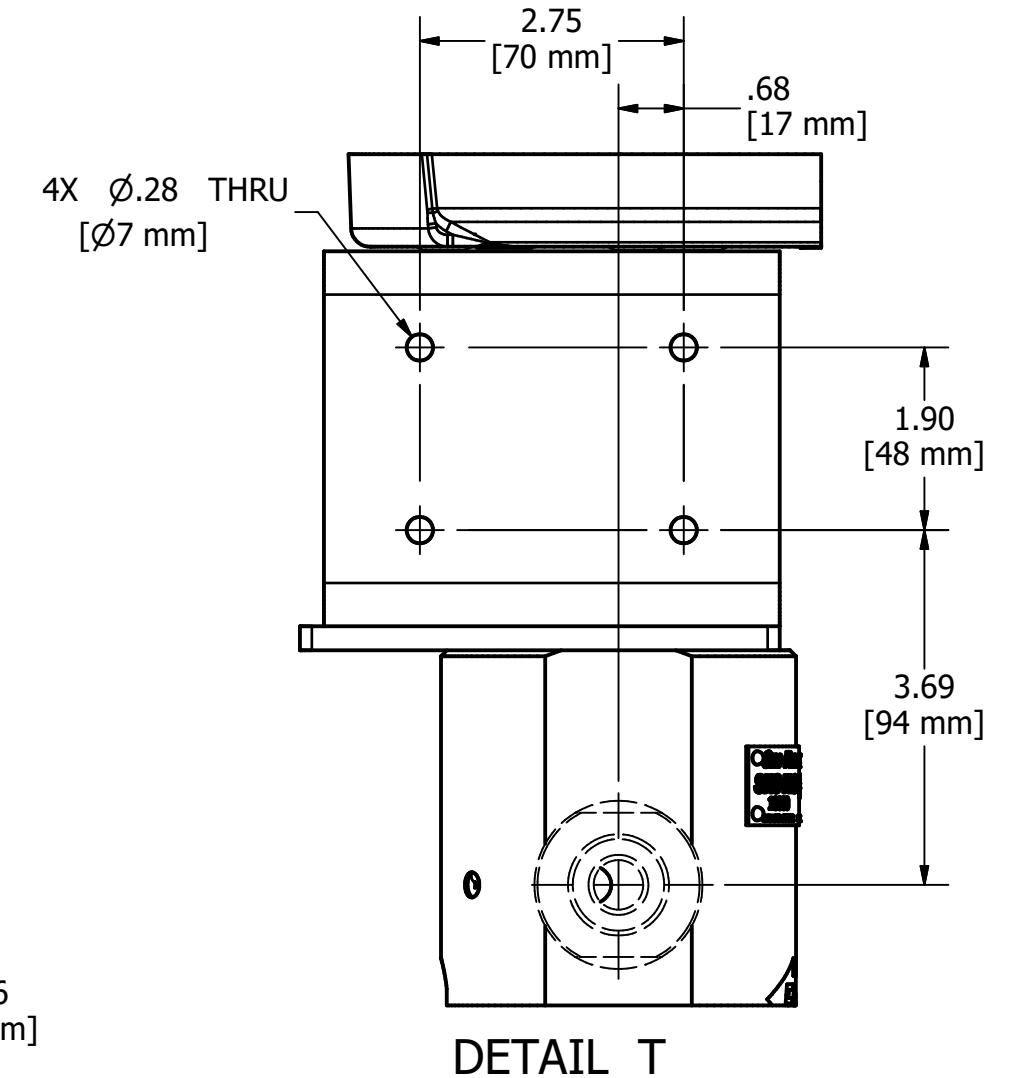
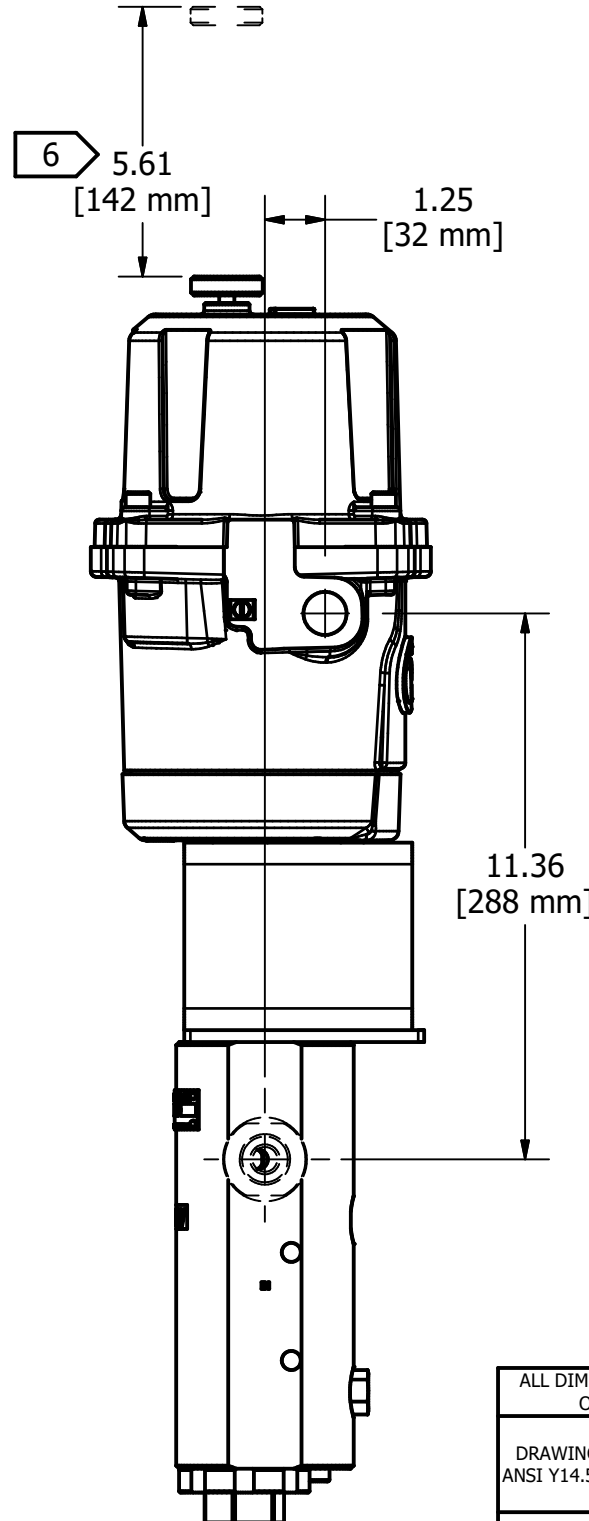
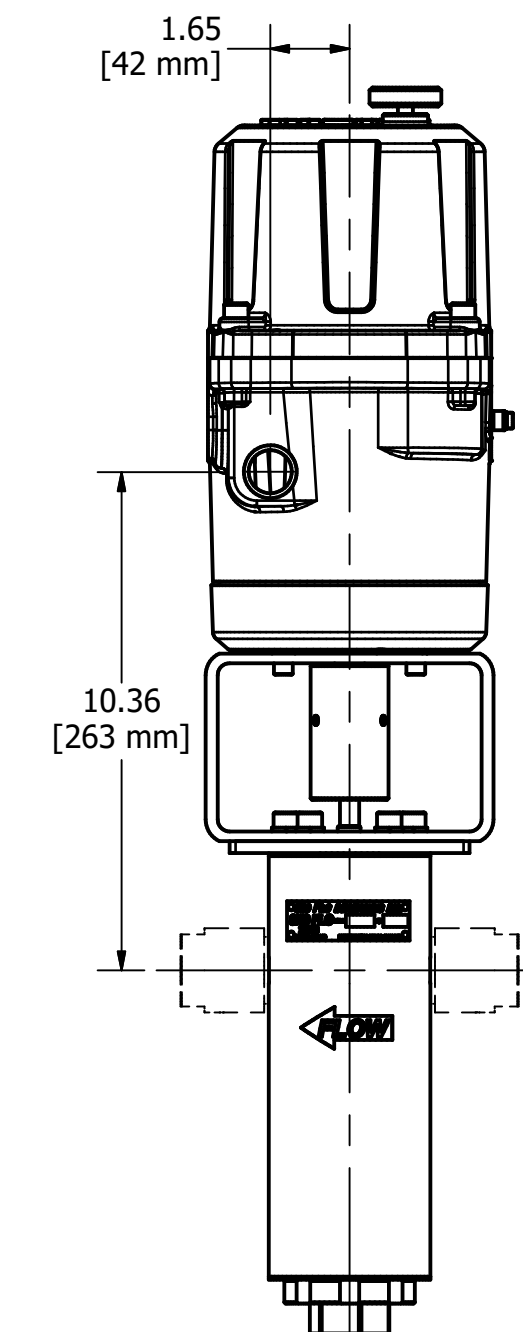
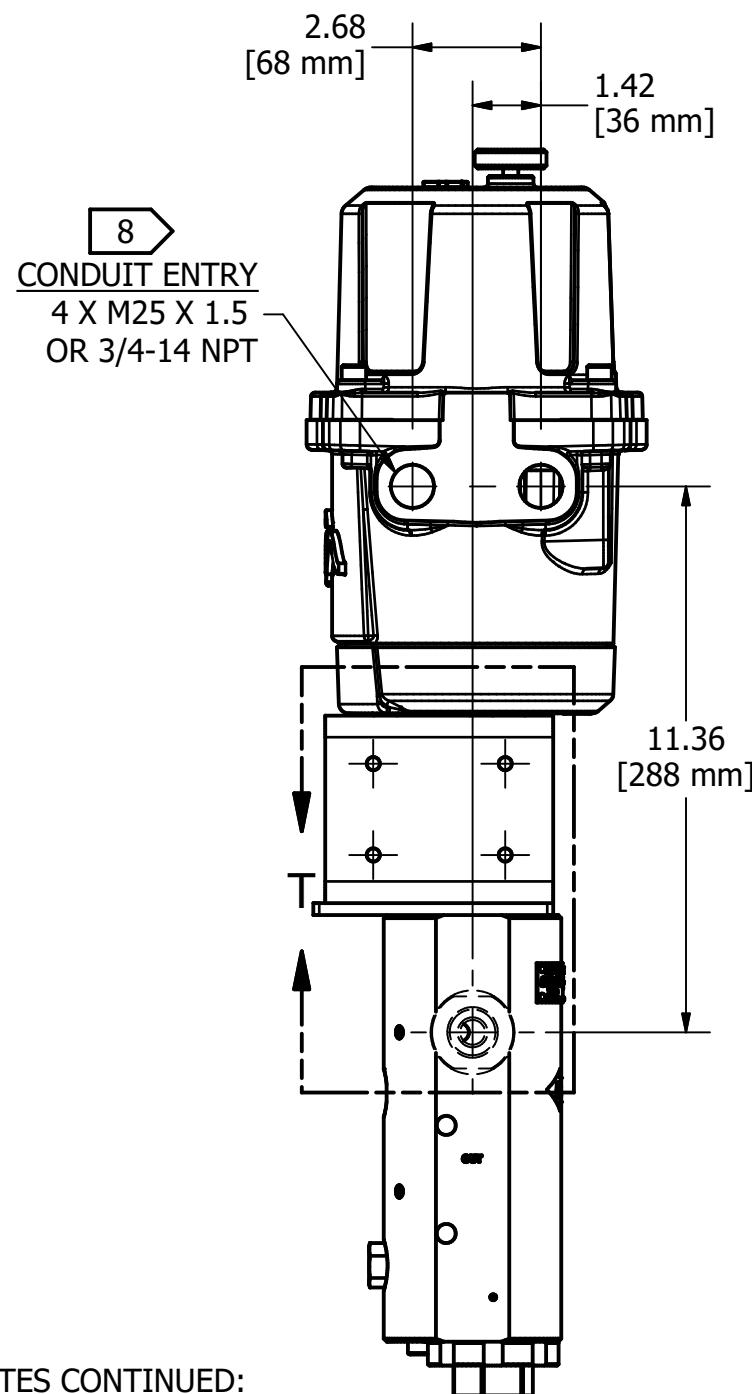
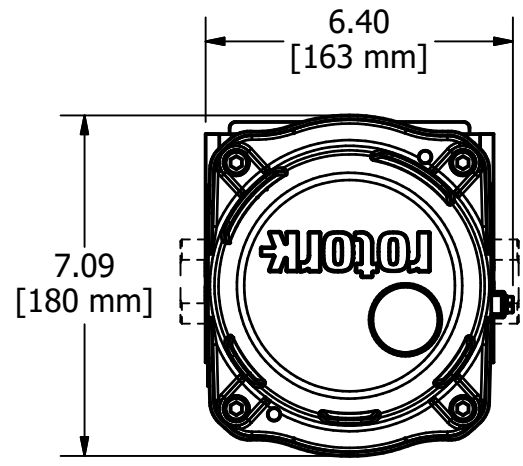
skoflo SKOFLO INDUSTRIES, INC. WOODINVILLE, WA

VALVE ASSEMBLY, SF10000NMFE


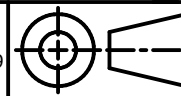
MANUAL ENVELOPE DRAWING

DWG NO SF10000NMFE REV L

SIZE B SCALE NONE SHEET 1 OF 5



NOTES CONTINUED:
 6) COVER REMOVAL ALLOWANCE
 7) ACTUATED NOMINAL WEIGHT = 58lbs [26.1kg]
 8) 3/4"-14 NPT CONDUIT ENTRIES FOR FM CONFIGURATION (SEE SHEET 4), ALL OTHERS M25x1.5

ALL DIMENSIONS IN INCHES UNLESS OTHERWISE SPECIFIED		DRAWN C.ARNOLD 5/1/2019	 SKOFLO INDUSTRIES, INC. WOODINVILLE, WA
DRAWING PER ANSI Y14.5M-2009		ENG1 J.MOORE 7/1/2019 ENG2 N.ALLEY 7/1/2019 OTHER	
FRACTIONS ± 1/16 .X ± .03 .XX ± .010 .XXX ± .005 .XXXX ± .0005 ANGULAR ± 3°	UNLESS SPECIFIED DEBURR & BREAK EDGES: .015/.005 Ra SURF QUAL: 63 FILLETS: R.020/.008 DRILL POINT: 110-150°	THIS DOCUMENT CONTAINS INFORMATION WHICH IS PROPRIETARY TO SKOFLO INDUSTRIES INC. THE INFORMATION CONTAINED HEREIN SHALL NOT BE DISCLOSED, DUPLICATED, USED IN WHOLE OR IN PART FOR ANY PURPOSE OTHER THAN TO EVALUATE THIS DOCUMENT	
		VALVE ASSEMBLY, SF10000NMFE ACTUATED ENVELOPE DRAWING DWG NO SF10000NMFE SIZE B SCALE NONE SHEET 2 OF 5	