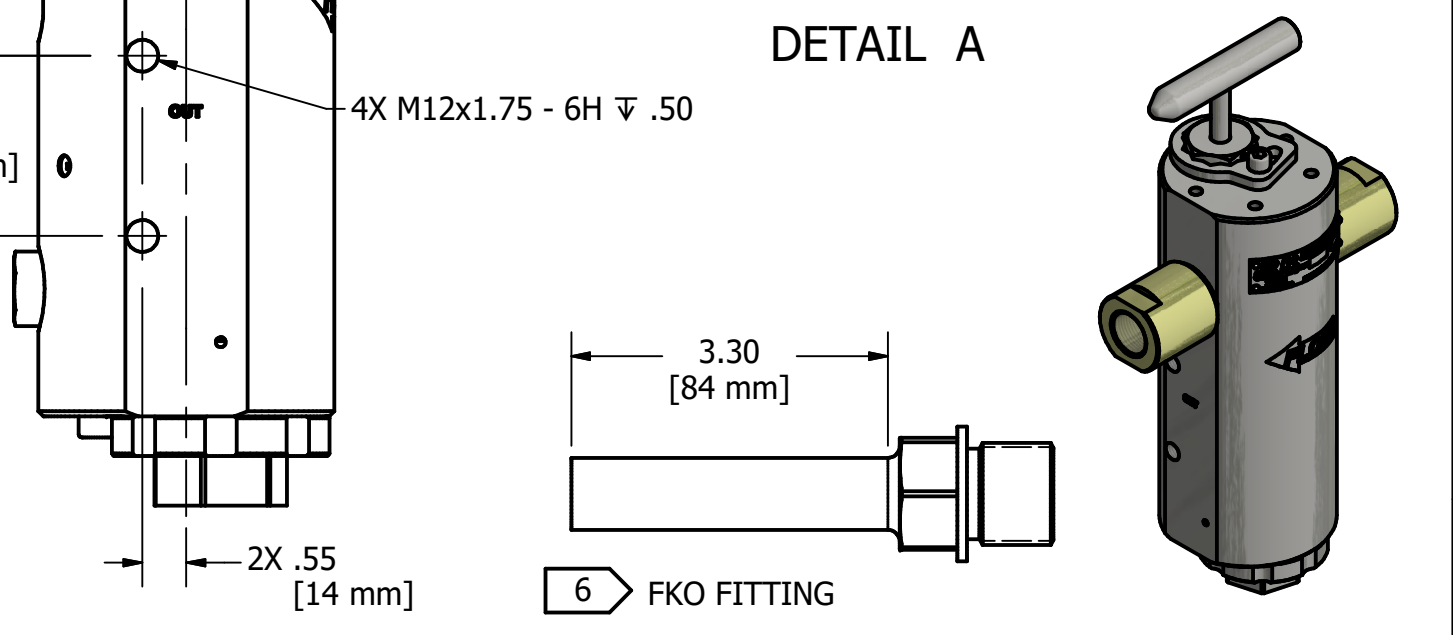
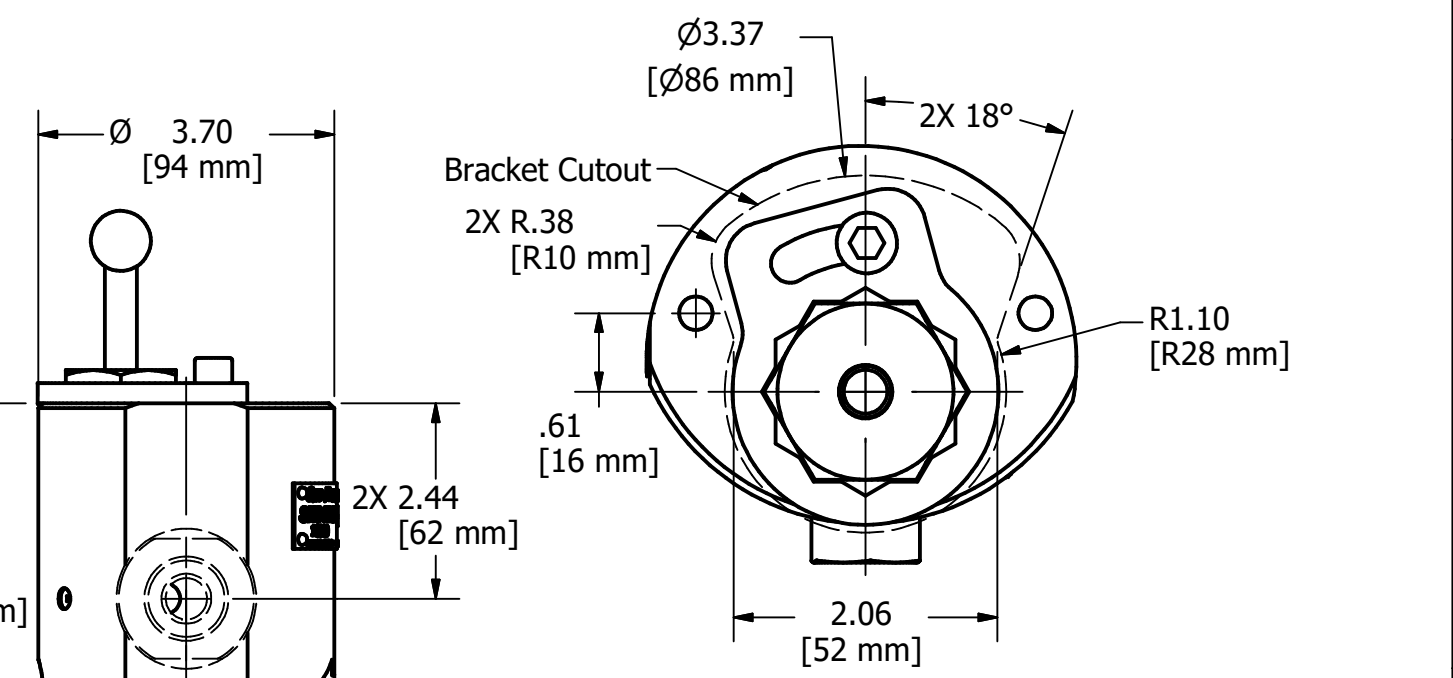
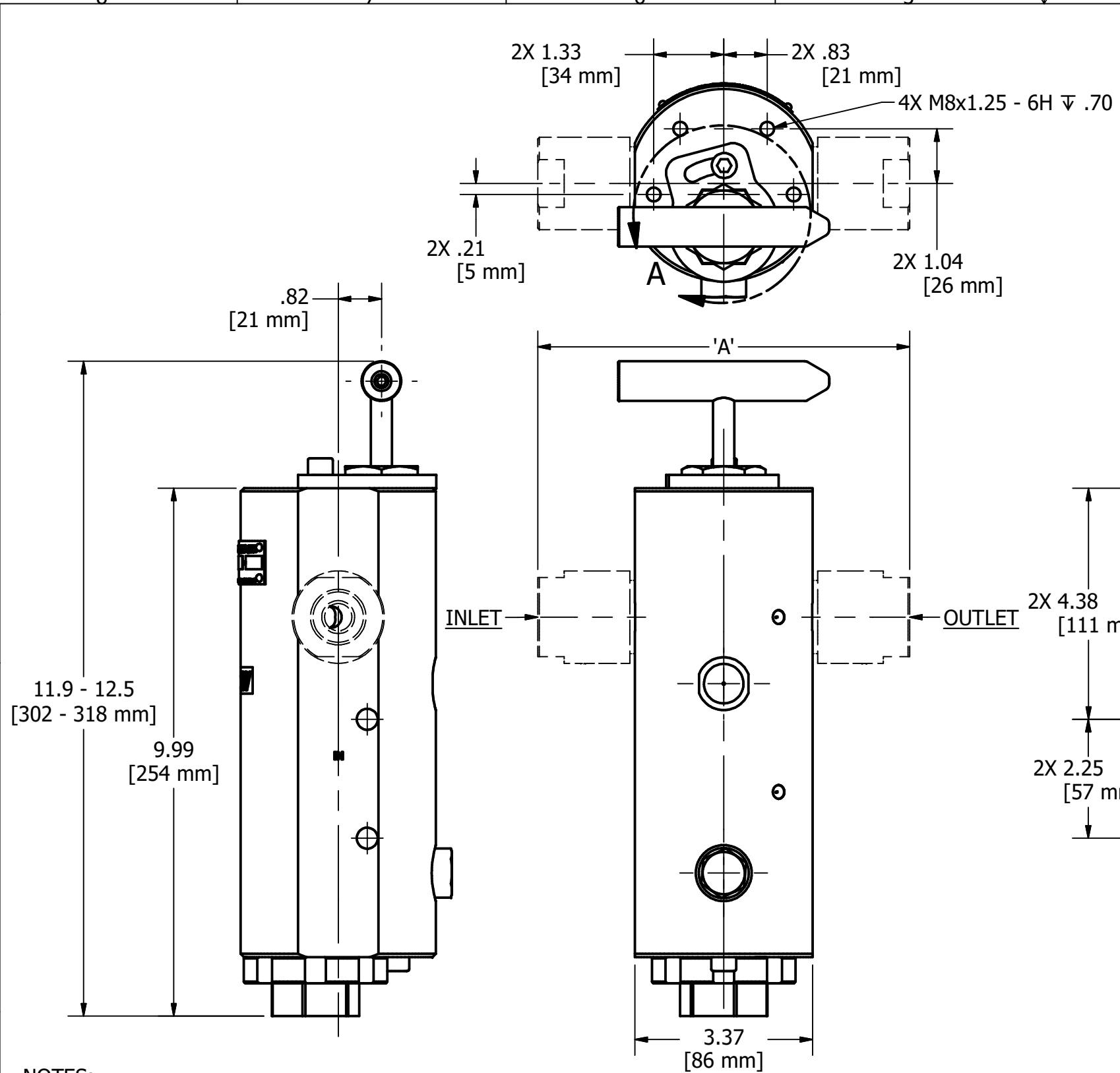


REVISION HISTORY							
ECN #	REV	DESCRIPTION	DATE	DRAWN	ENG1	ENG2	OTHER
2768	C	UPDATE CONFIGURATION NAMING TO INCLUDE COMMUNICATION TYPE	8/9/19	CA	NA	MK	
2791	D	ADD HOLE CALLOUT	9/16/19	CA	NA	JM	
2860	E	SEPARATED AC VOLTAGES IN CONFIGURATIONS; ON SHT 5 ADD ITEM 60 TO BOM;	11/15/19	JC	JM	CA	
2868	F	ON SHT 4, TABLE 3, UPDATE COLUMN FFKM TO REFLECT "ISOLAST" BRAND O-RING P/N's; ON SHT 1, ADD NOTE 13 TO SHT 4; CORRECTED CALLOUT FOR NOTE 12 ON SHT 3;	11/27/19	PTS	JM	NA	
2963	G	SH2, NOTE 8: M25 X 1.5 WAS M20 X 1.5; SH4, TABLE 3: 71007006 WAS 71007404	11/12/20	EF	JM	CA	
3310	H	SHT 4, TABLE 2: 31398 WAS 20617	9/20/21	EF	JC	JM	



- NOTES:
- 1) RATED WORKING PRESSURE = 15,000 psi
 - 2) PROOF TEST PRESSURE = 22,500 psi
 - 3) FLOW RATE RANGES:
 - a) 0.1 - 2 GPM
 - b) 0.25 - 12 GPM
 - 4) SF15000NMFE-XX-XXXX-75MP-MA SHOWN
 - 5) MANUAL NOMINAL WEIGHT = 32lbs [14.5Kg]
- 6 MALE FKO TUBE STUB, Ø3/4" X .134 WALL, SHIPPED UNCONNECTED FROM VALVE

HUB TYPE	'A' (in.)	'A' (mm)
75FK	11.61	295
75MP	7.05	179
1GR4	7.10	180
1GR5	7.10	180
1GR7	7.10	180

ALL DIMENSIONS IN INCHES UNLESS OTHERWISE SPECIFIED

DRAWN C.ARNOLD 7/26/2019

ENG1 J.MOORE 7/26/2019

ENG2 N.ALLEY 7/26/2019

OTHER

THIS DOCUMENT CONTAINS INFORMATION WHICH IS PROPRIETARY TO SKOFLO INDUSTRIES INC. THE INFORMATION CONTAINED HEREIN SHALL NOT BE DISCLOSED, DUPLICATED, USED IN WHOLE OR IN PART FOR ANY PURPOSE OTHER THAN TO EVALUATE THIS DOCUMENT

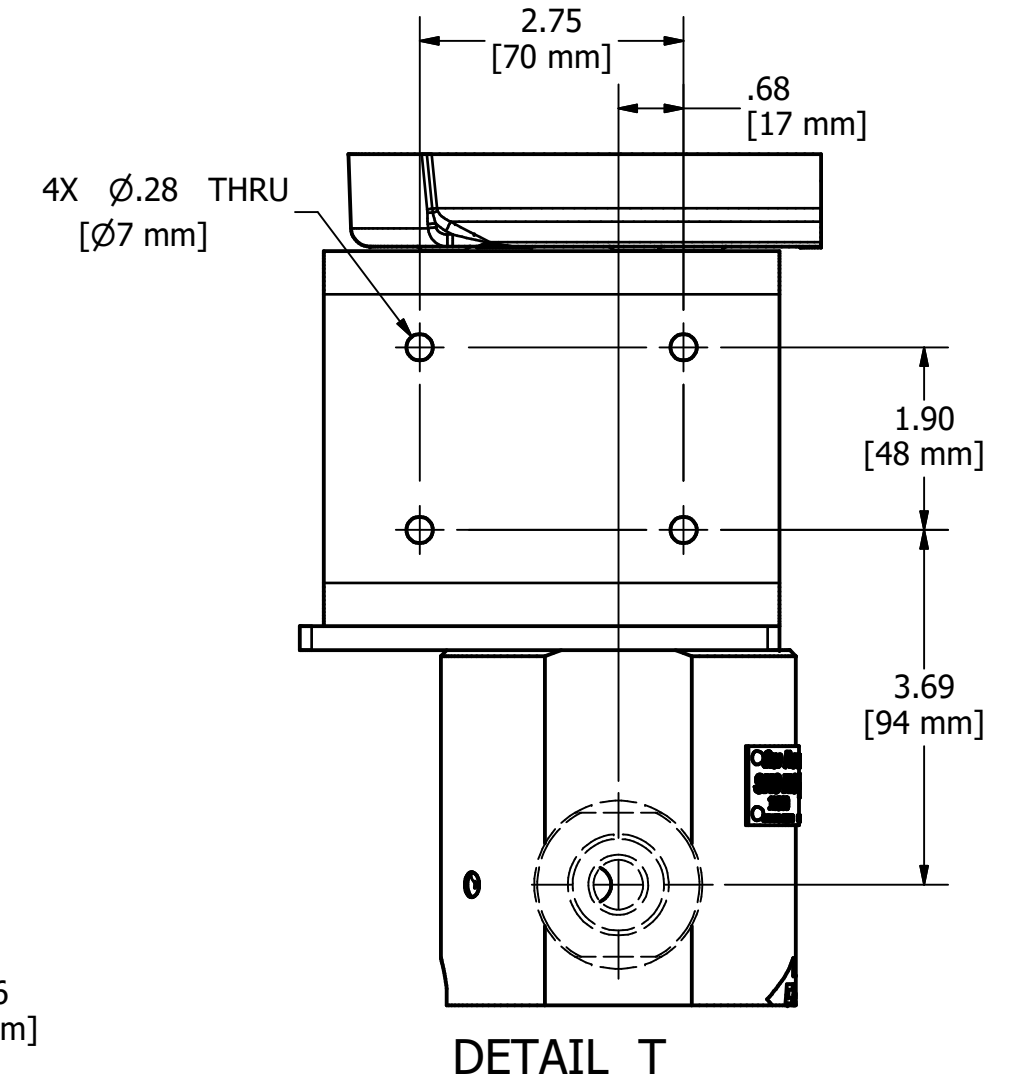
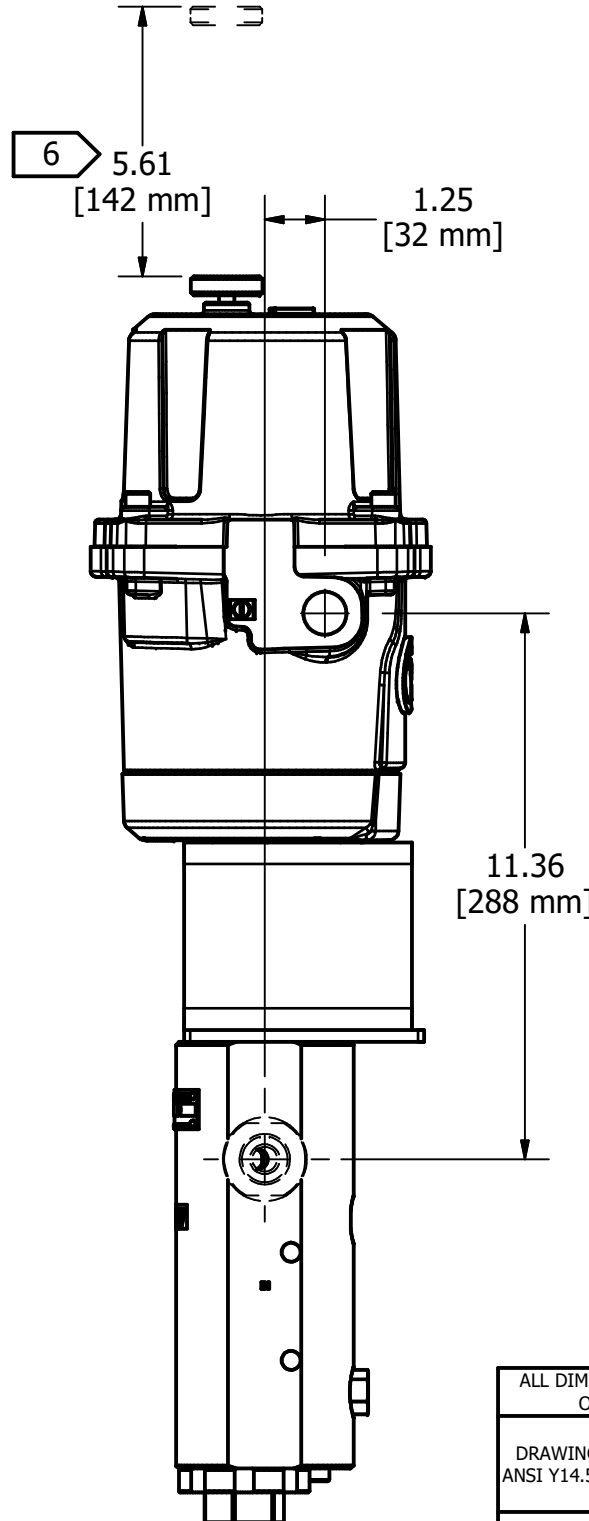
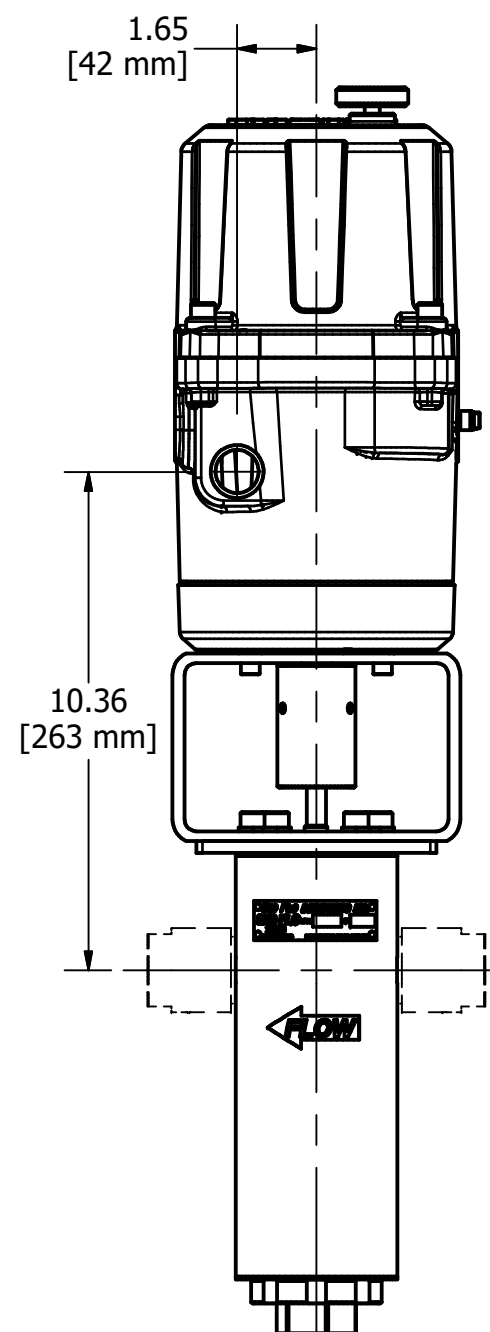
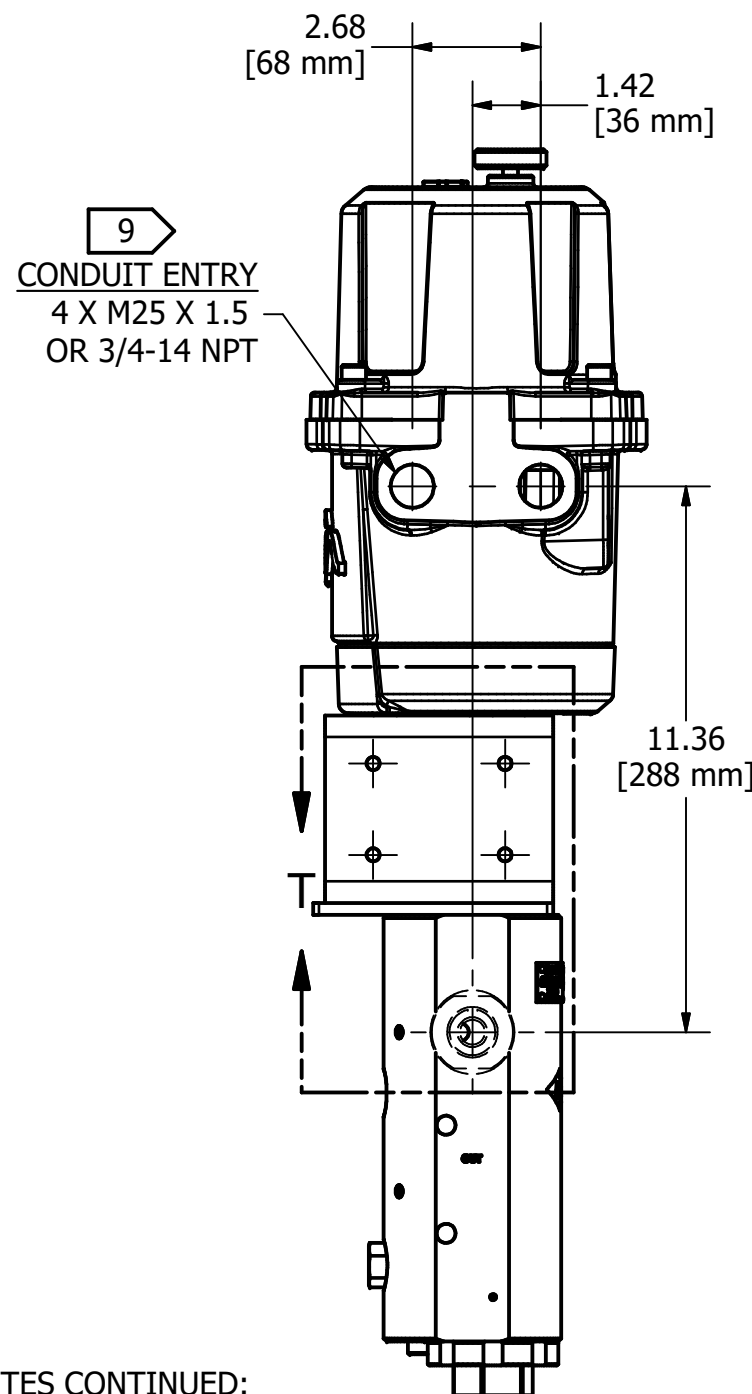
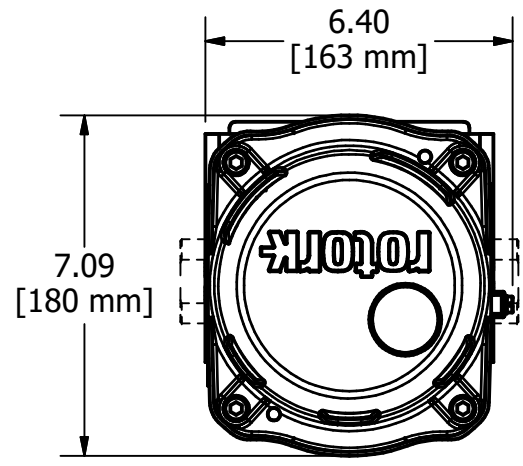
skoflo SKOFLO INDUSTRIES, INC. WOODINVILLE, WA

VALVE ASSEMBLY, SF15000NMFE


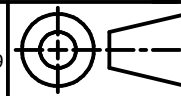
MANUAL ENVELOPE DRAWING

DWG NO SF15000NMFE

SIZE B SCALE NONE SHEET 1 OF 5



NOTES CONTINUED:
 7 COVER REMOVAL ALLOWANCE
 8) ACTUATED NOMINAL WEIGHT = 58lbs [26.1kg]
 9) 3/4"-14 NPT CONDUIT ENTRIES FOR FM CONFIGURATION (SEE SHEET 4), ALL OTHERS M25x1.5

ALL DIMENSIONS IN INCHES UNLESS OTHERWISE SPECIFIED		DRAWN C.ARNOLD 7/26/2019	 SKOFLIO INDUSTRIES, INC. WOODINVILLE, WA
DRAWING PER ANSI Y14.5M-2009	 UNLESS SPECIFIED DEBURR & BREAK EDGES: .015/.005 Ra SURF QUAL: 63 FILLET: R.020/.008 DRILL POINT: 110-150°	ENG1 J.MOORE 7/26/2019 ENG2 N.ALLEY 7/26/2019 OTHER	
FRACTIONS ± 1/16 .X ± .03 .XX ± .010 .XXX ± .005 .XXXX ± .0005 ANGULAR ± 3°	THIS DOCUMENT CONTAINS INFORMATION WHICH IS PROPRIETARY TO SKOFLIO INDUSTRIES INC. THE INFORMATION CONTAINED HEREIN SHALL NOT BE DISCLOSED, DUPLICATED, USED IN WHOLE OR IN PART FOR ANY PURPOSE OTHER THAN TO EVALUATE THIS DOCUMENT		VALVE ASSEMBLY, SF15000NMFE ACTUATED ENVELOPE DRAWING DWG NO SF15000NMFE
		SIZE B	SCALE NONE
		SHEET 2 OF 5	